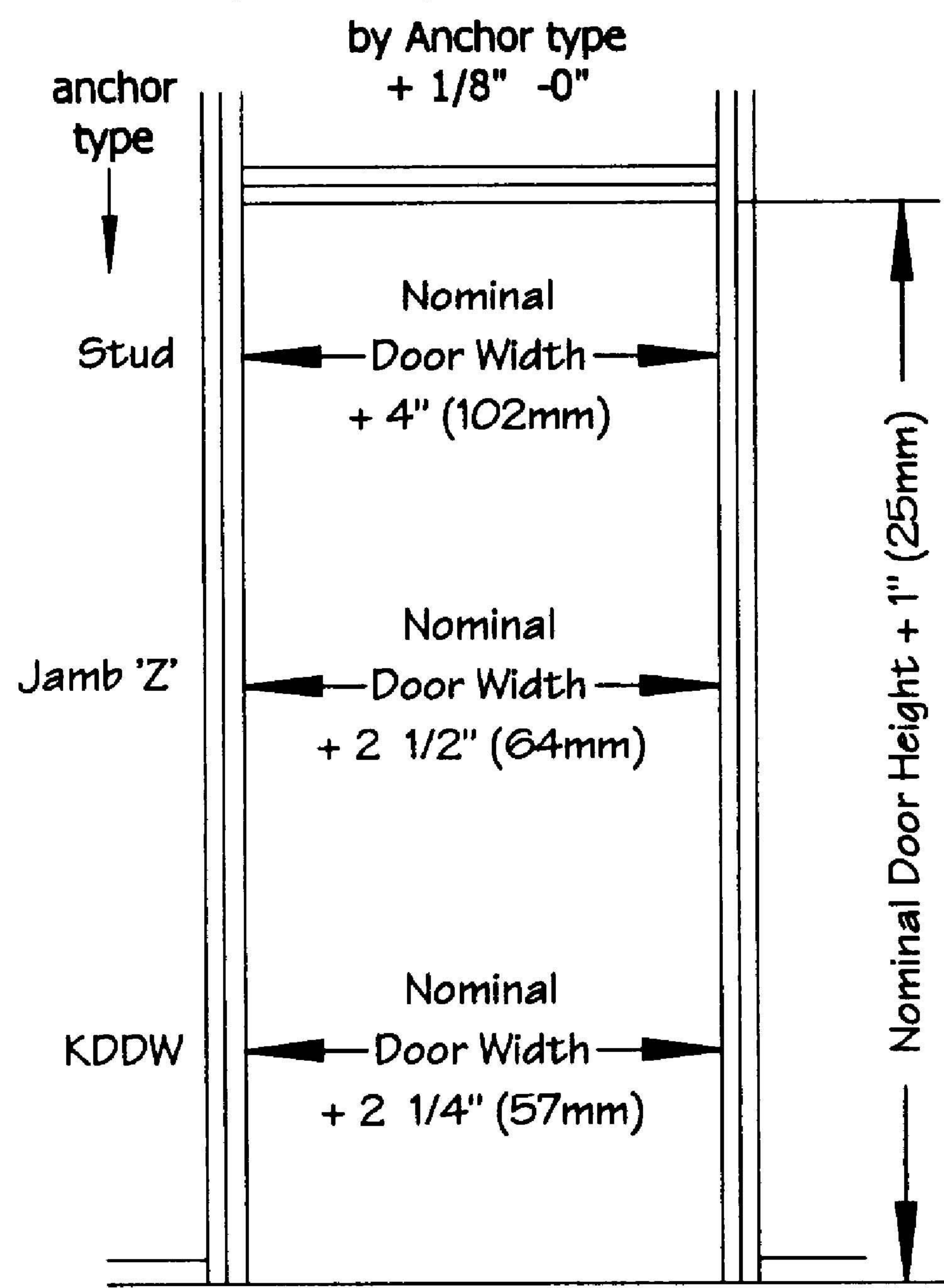
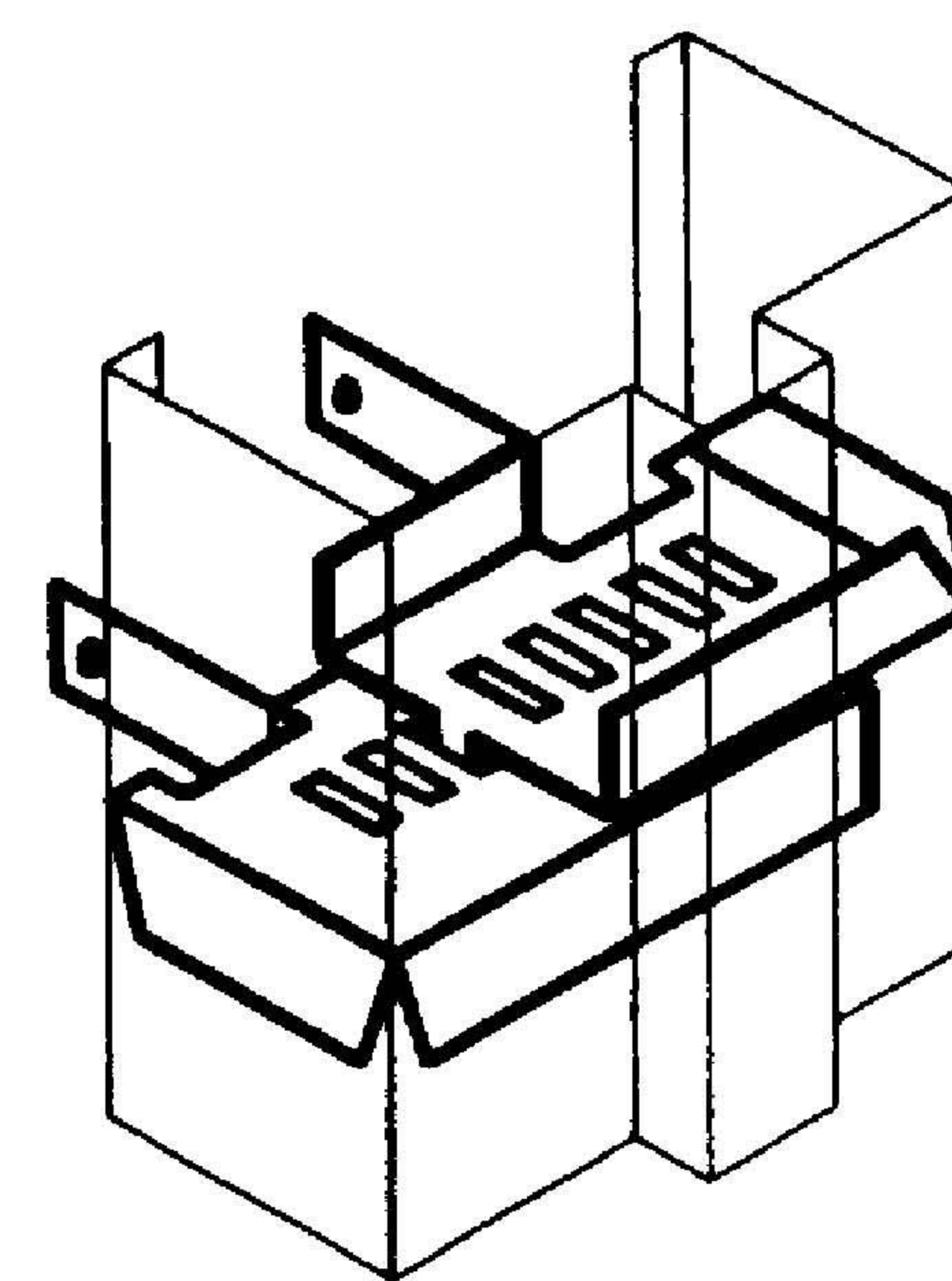
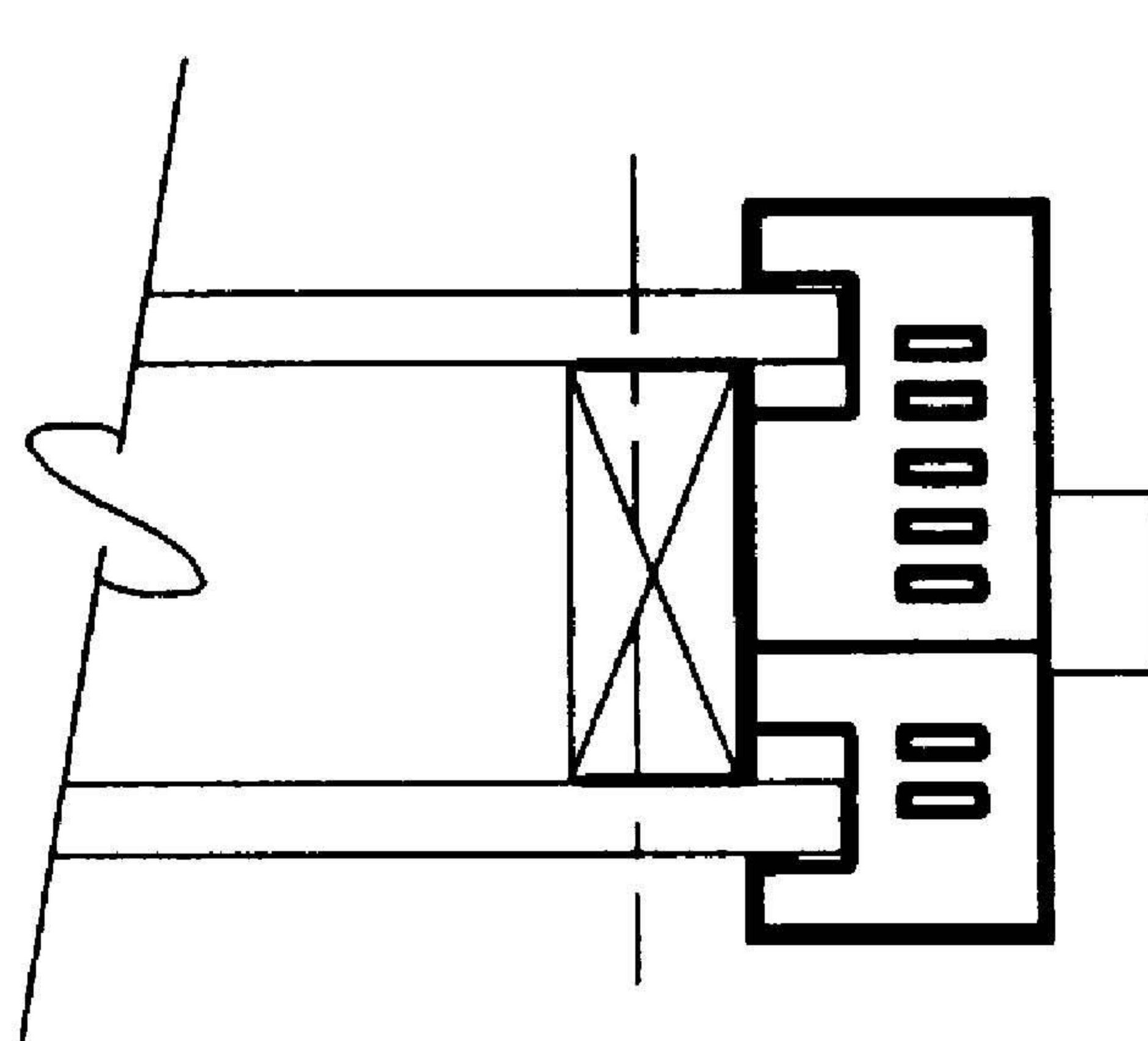


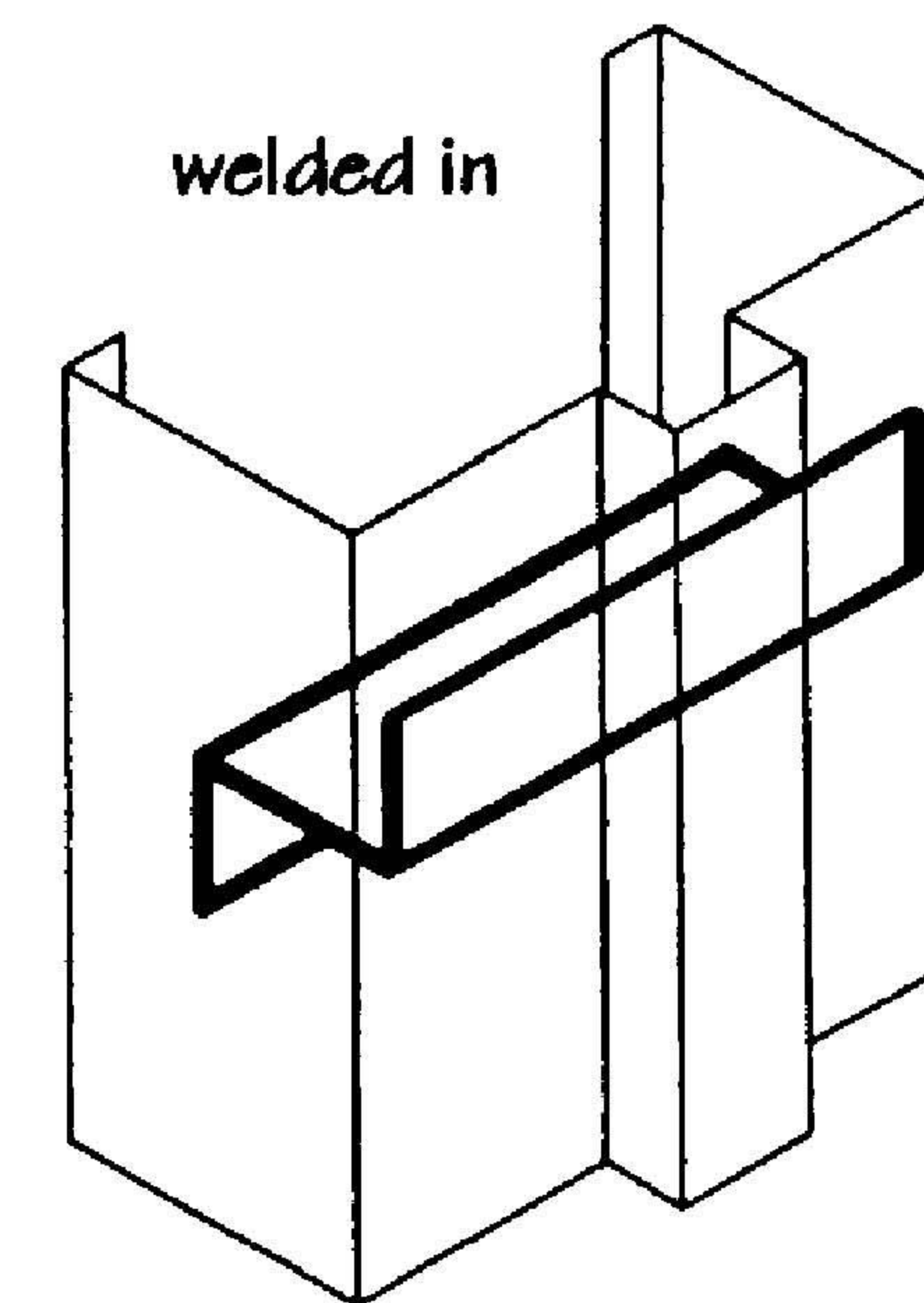
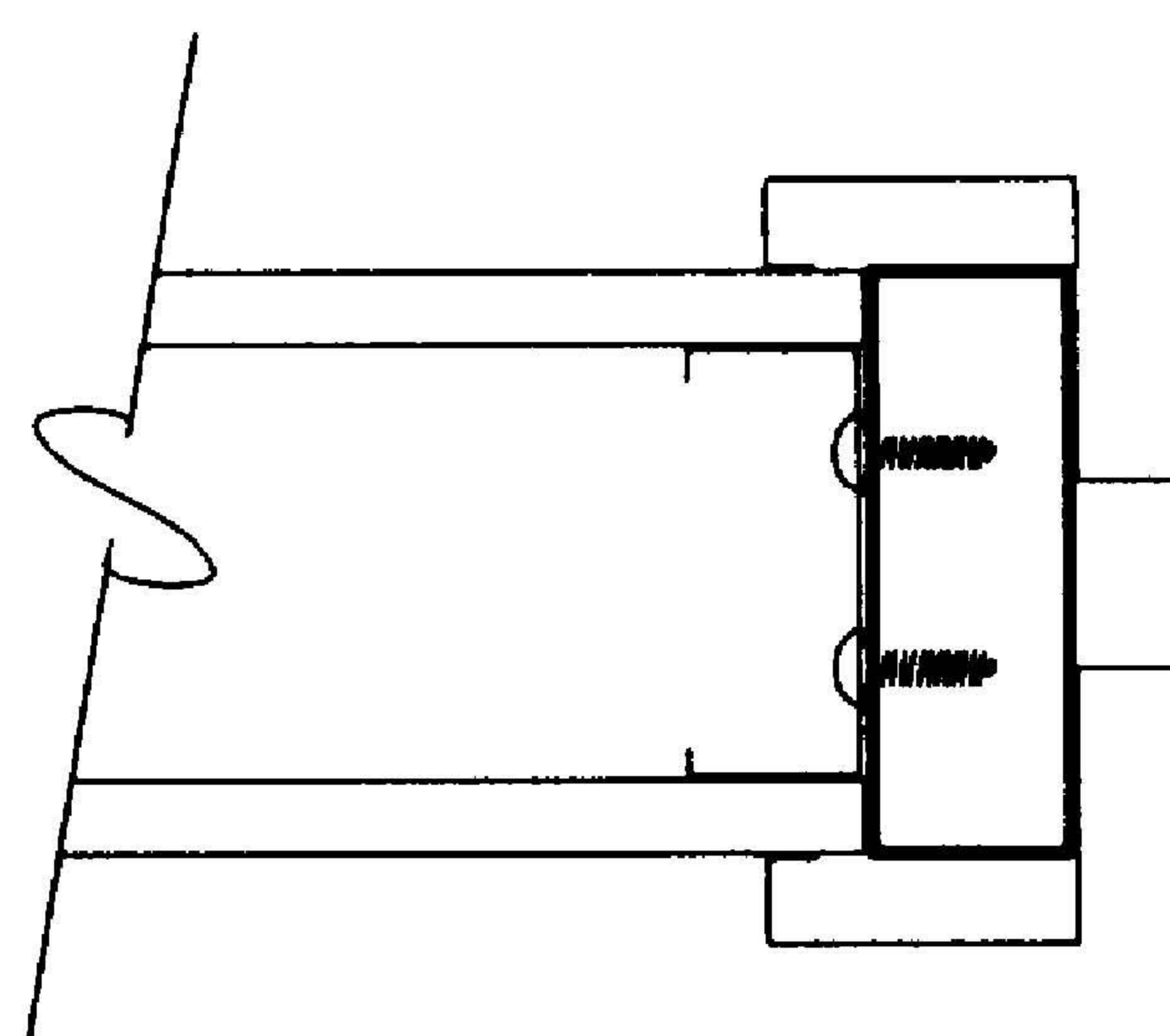
Rough Stud Opening Dimensions



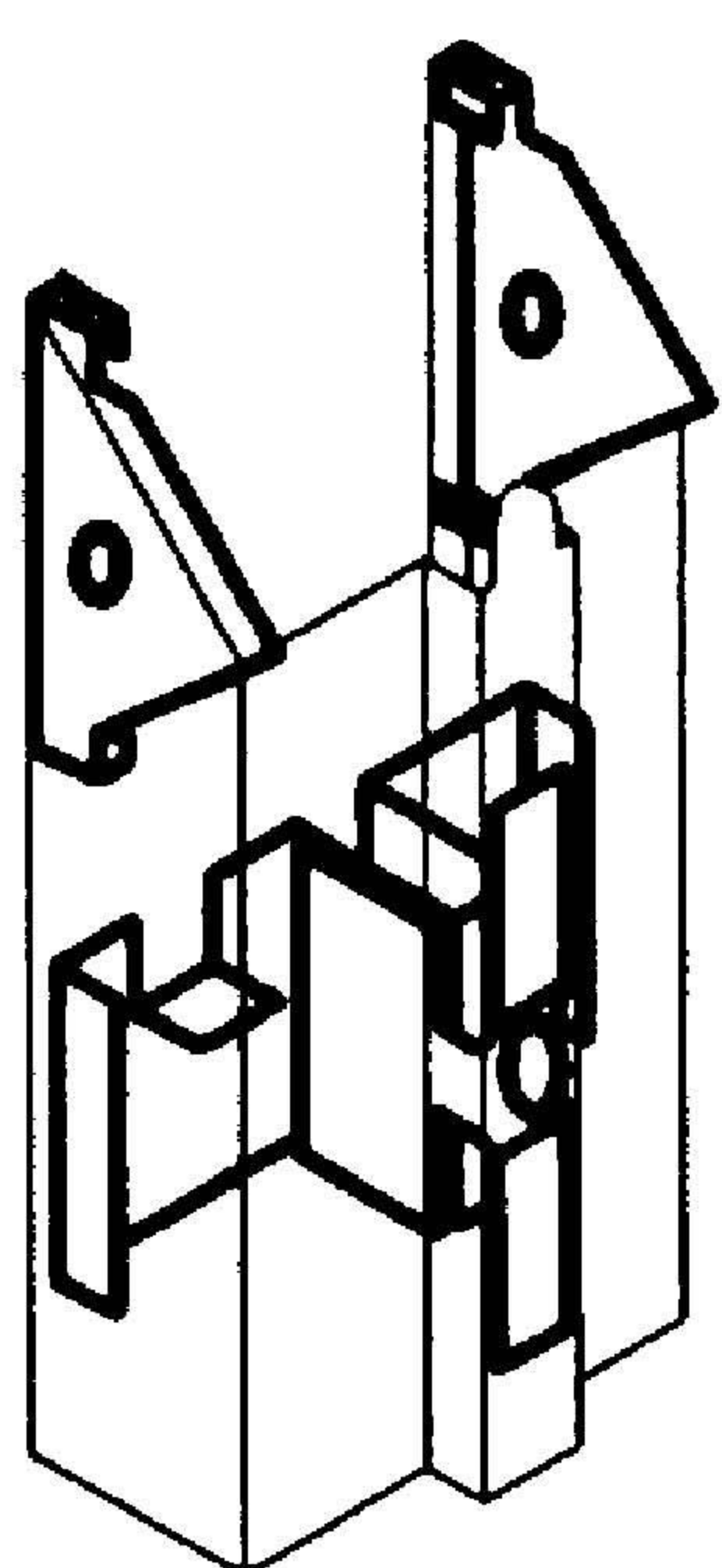
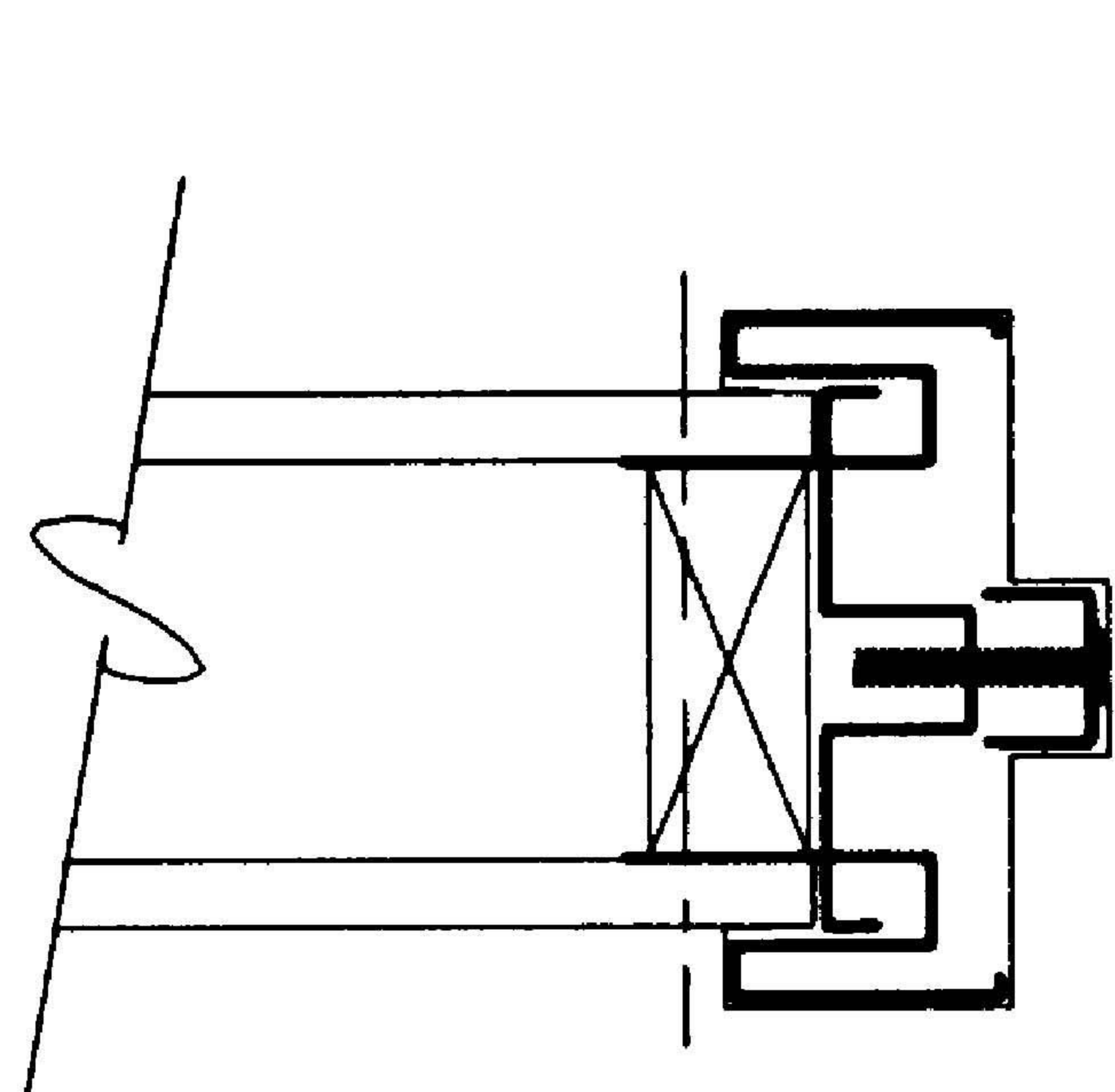
Anchoring Systems



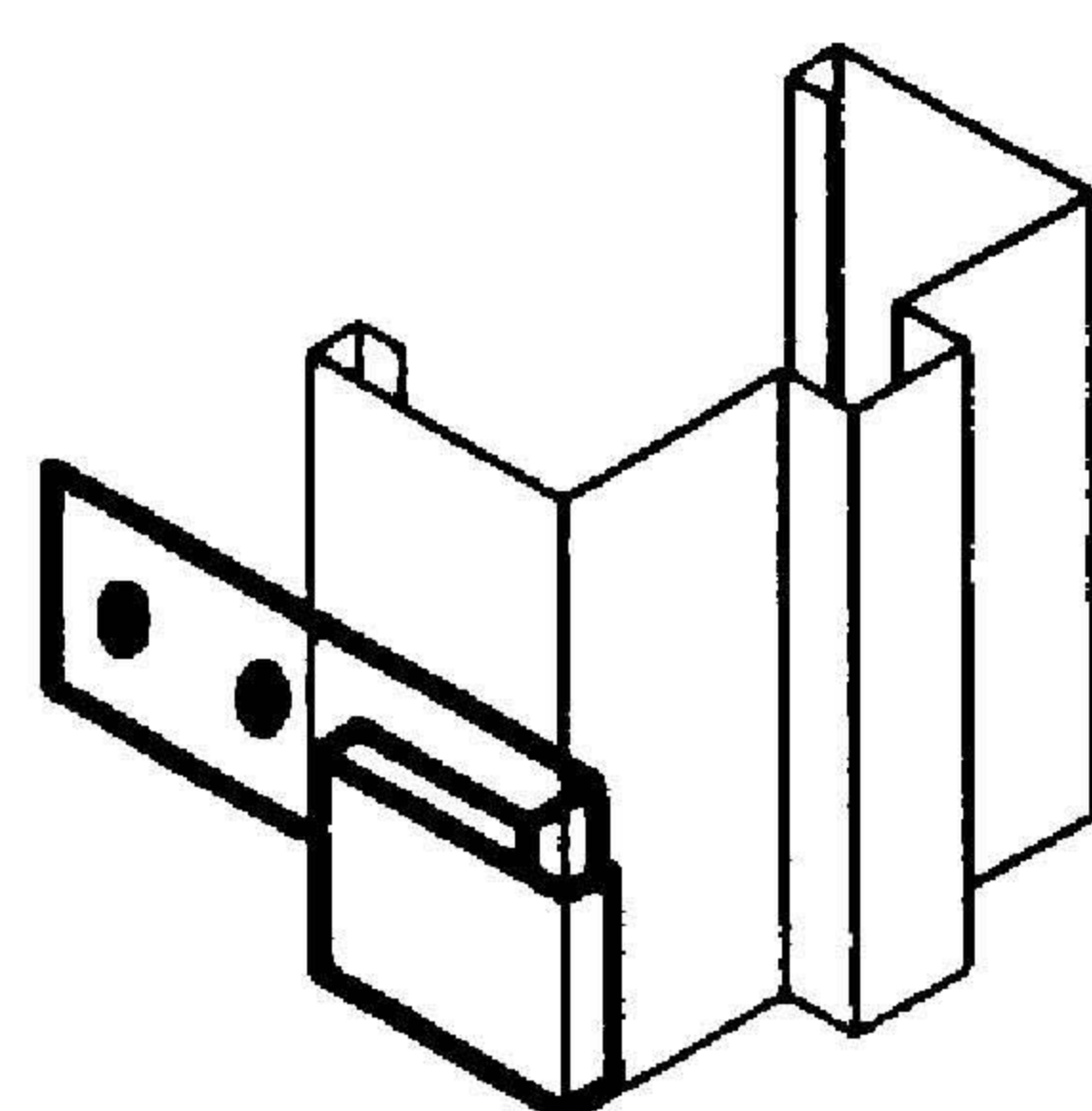
Metal or Wood
Stud Anchor
2 pc. style



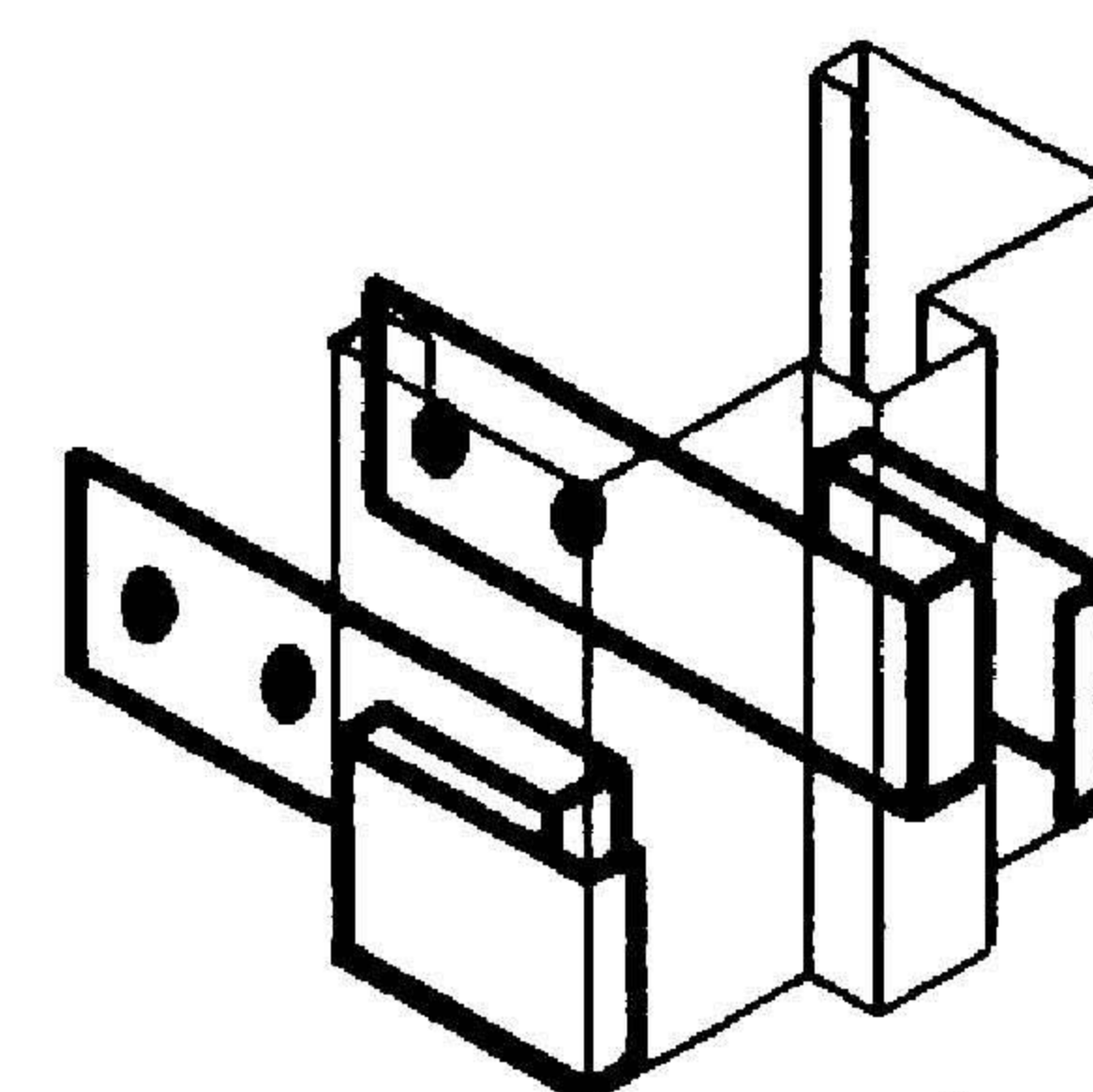
Jamb 'Z' Anchor



tension
anchor



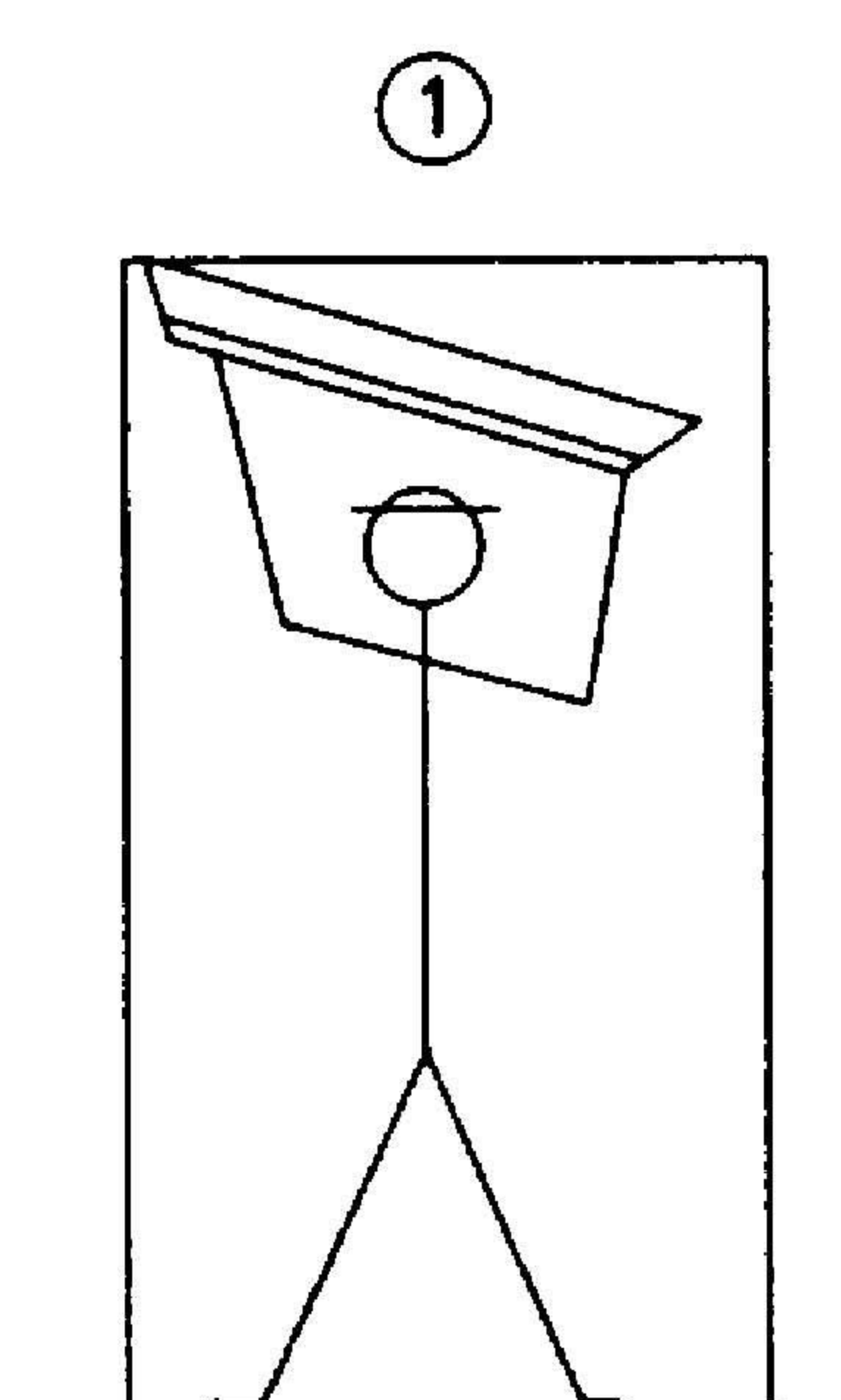
center
anchor



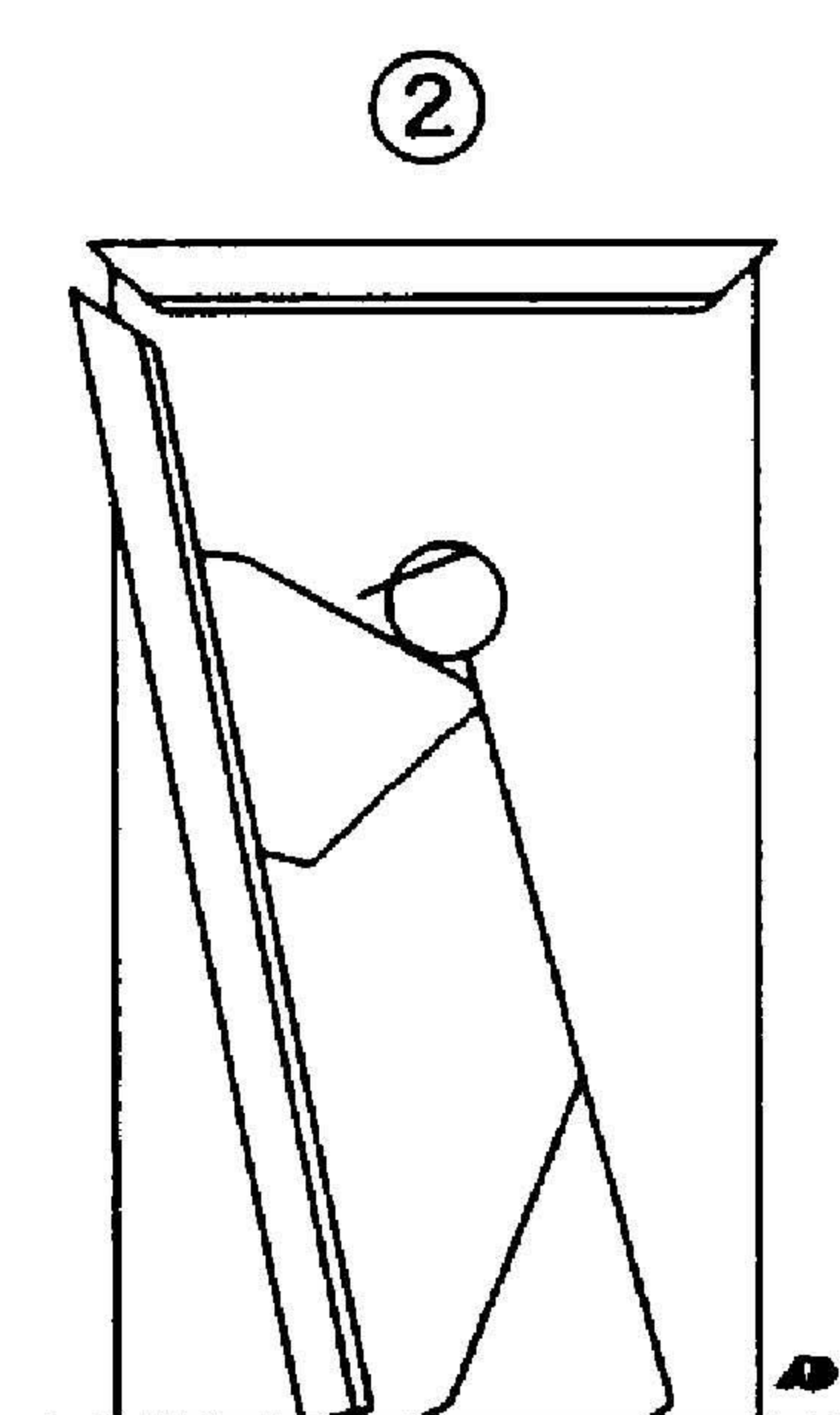
base
anchor

KDDW with
tension, center and
bottom strap anchors

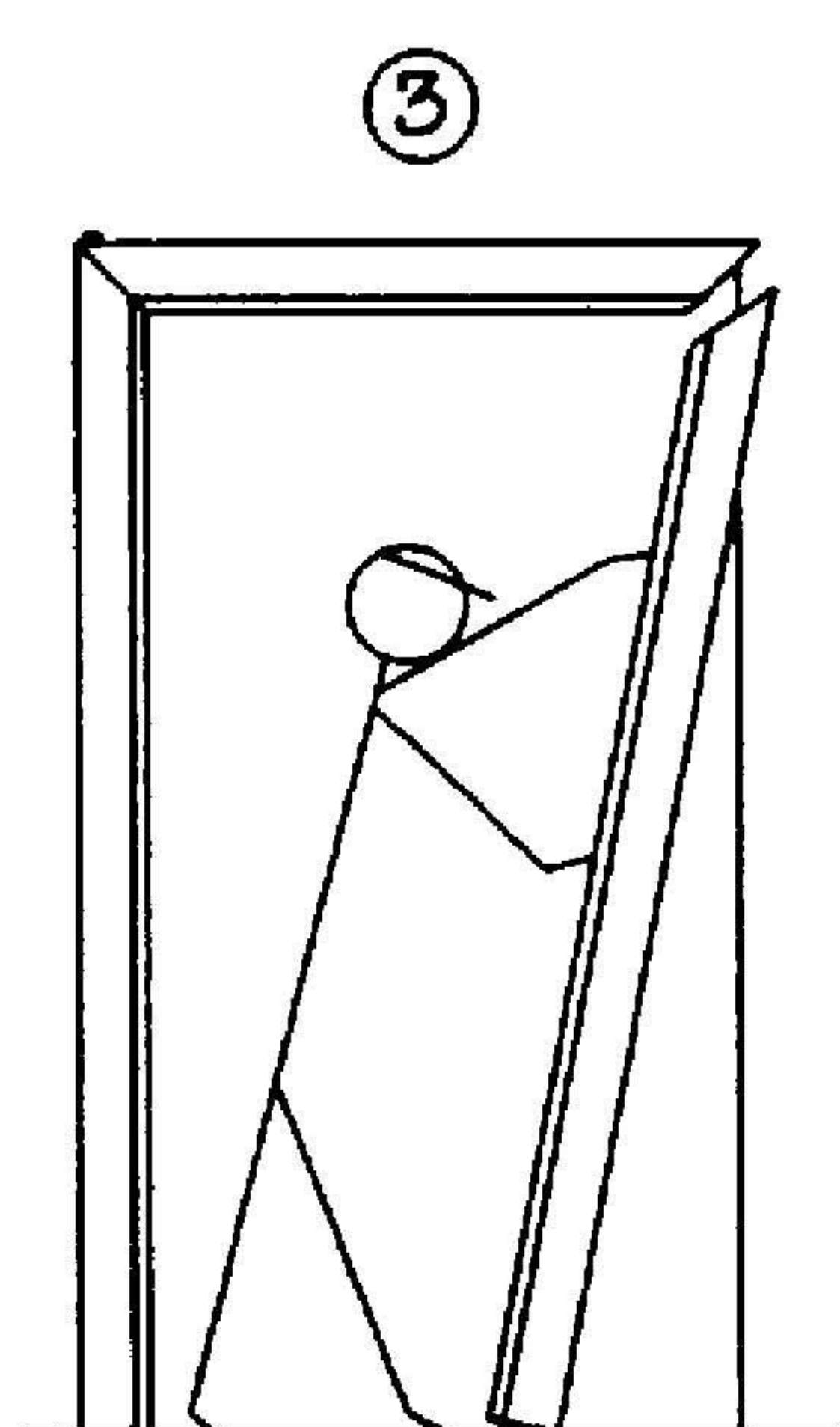
Installation Instructions



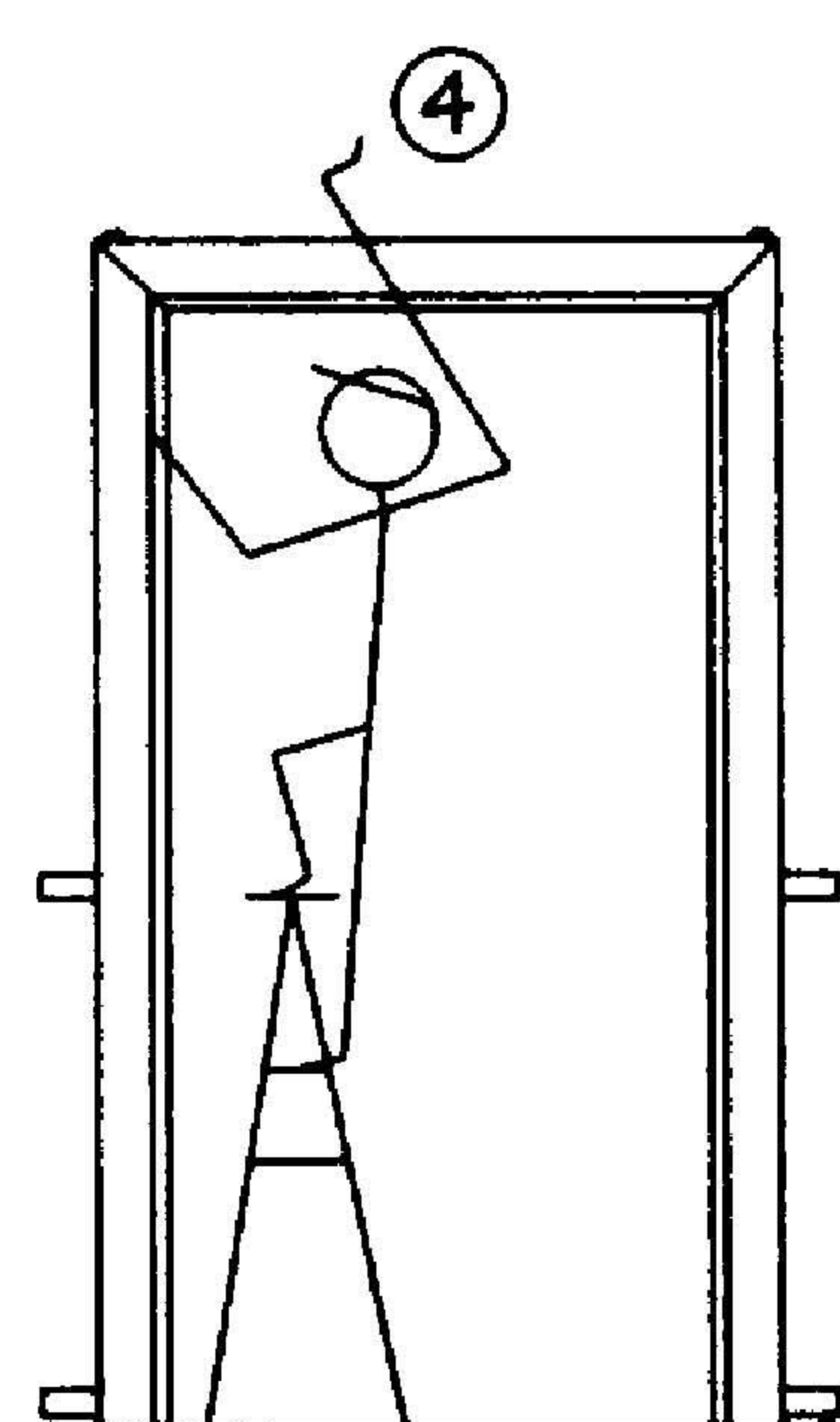
① Place head
into position



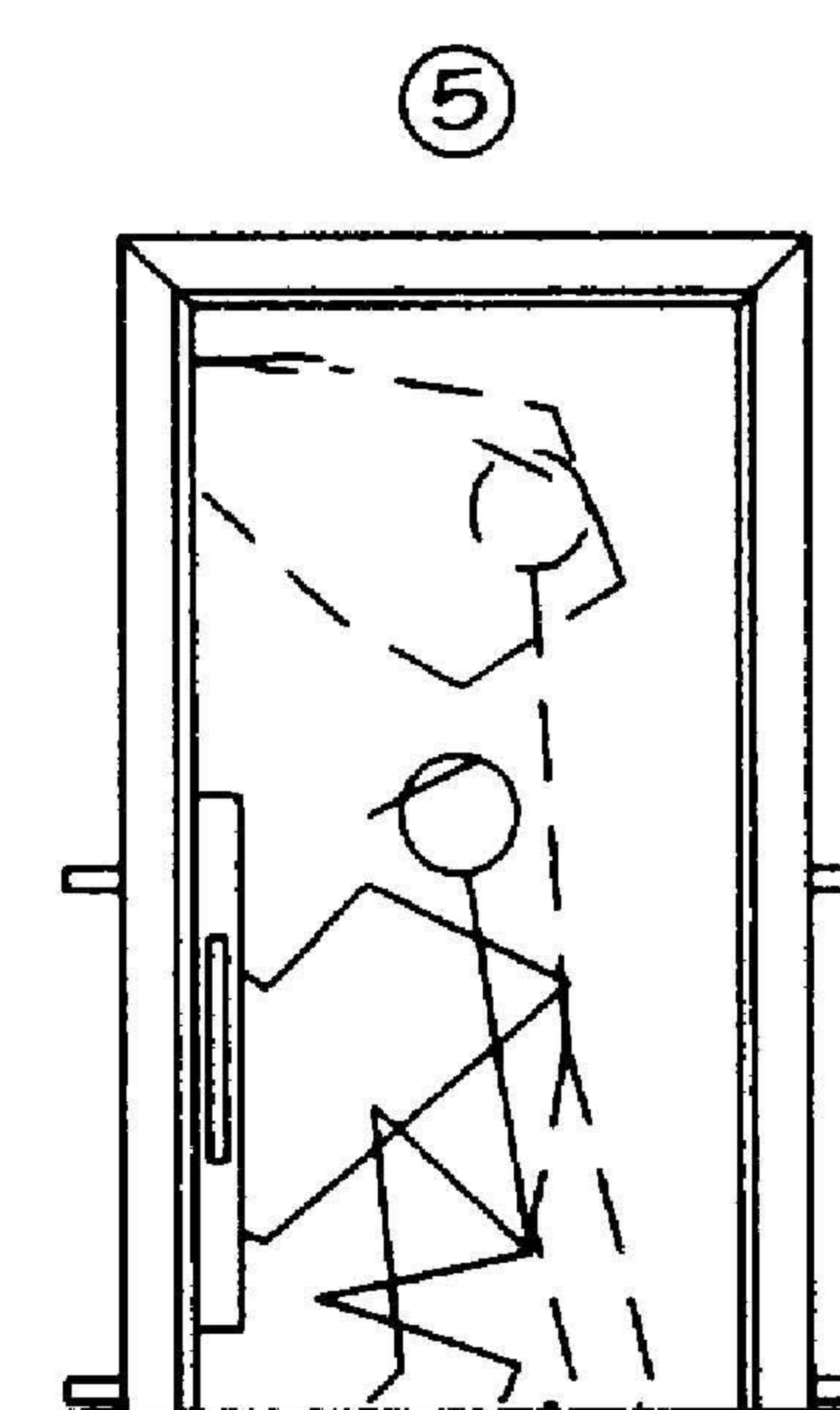
② Install hinge jamb.
Fit mitre tabs into
slots in head



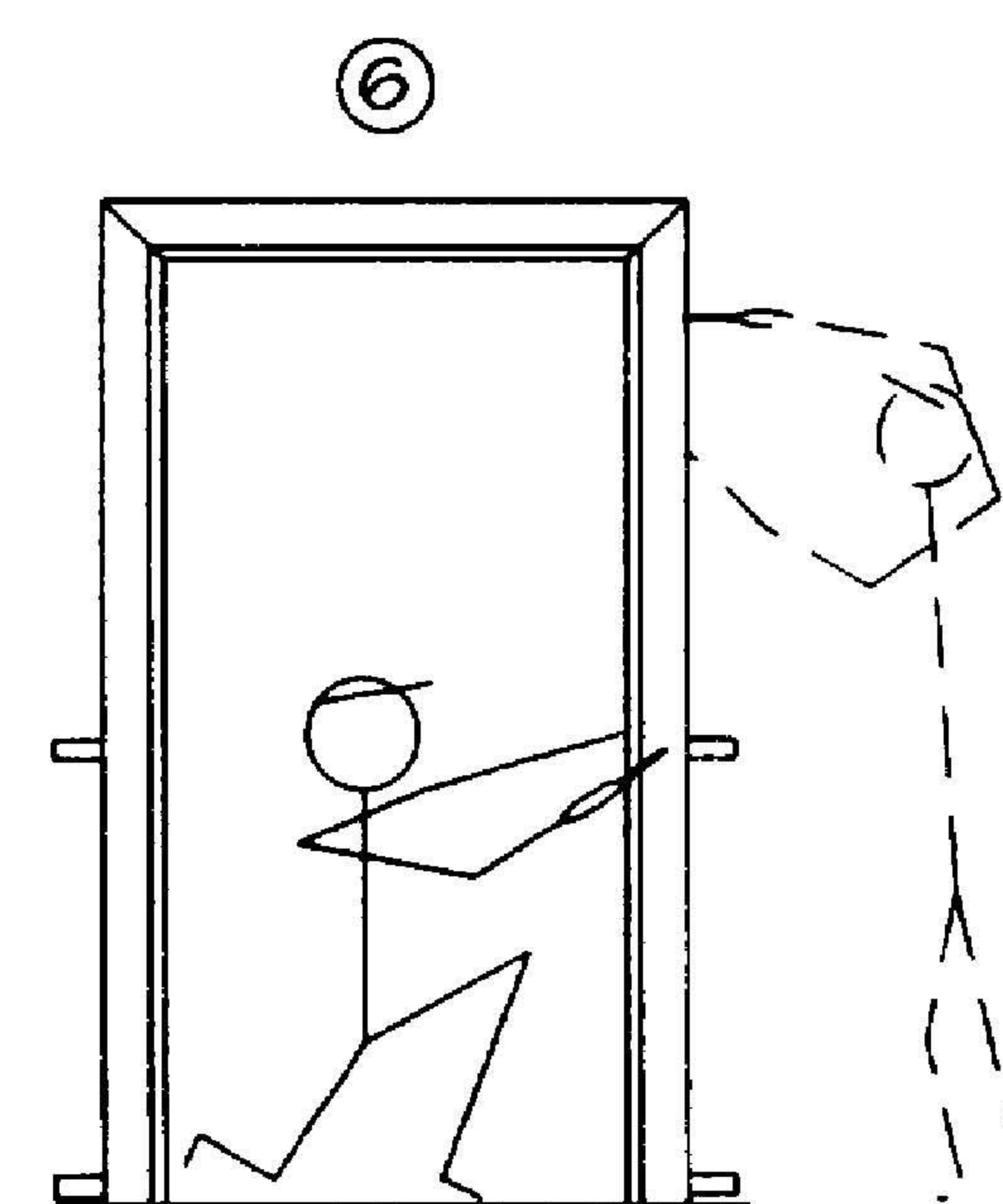
③ Install strike jamb.
Fit mitre tabs into
slots in head



④ Adjust and secure
head to jambs by
bending mitre tabs
towards wall



⑤ Plumb and square
to nominal
door dimensions.
Use tension anchor
if available



⑥ Anchor frame
according to
anchor type

**Anchoring Details and Installation Instructions
for 3 pc. Drywall Pressed Steel Frames**