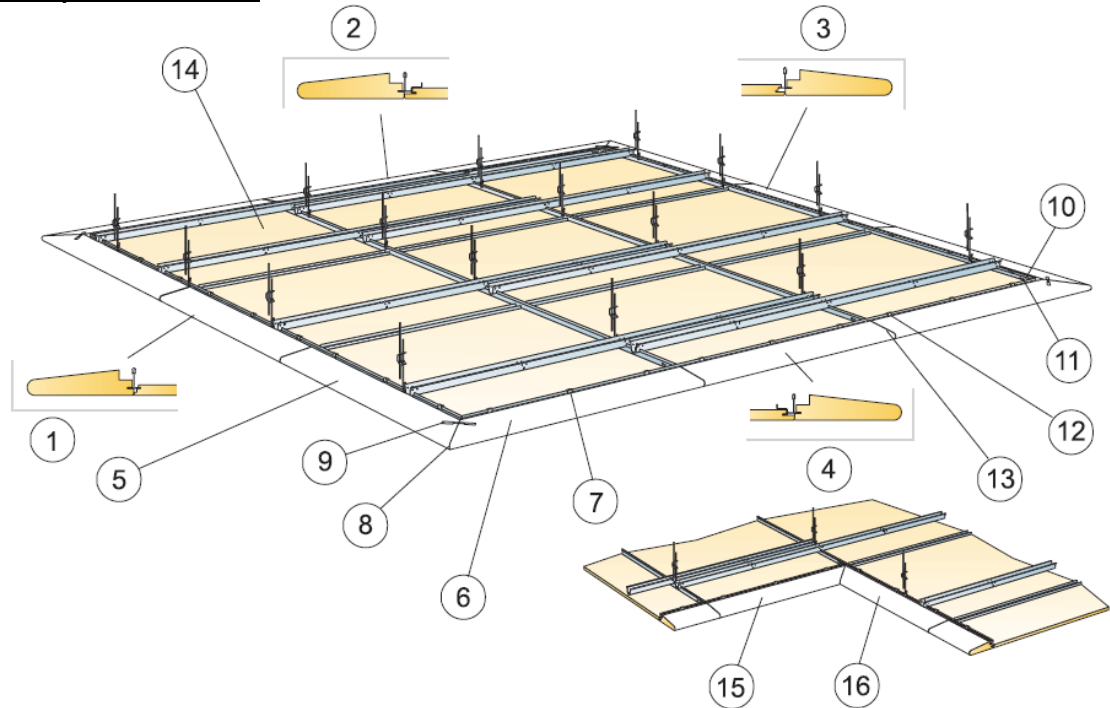


CertainTeed Ceilings

Ecophon® Focus™ Wing, Focus™ D 4x4 Installation Instructions

Required Parts:



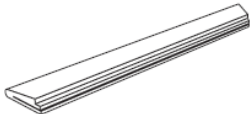
1,2,3,4. Focus Wing Ds



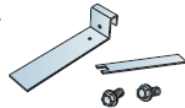
5. Focus Wing Ds /corner right



6. Focus Wing Ds /corner left



7. Connect Wing Cantilever



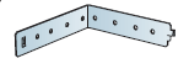
8. Connect Spline 0219



9. Connect Hook 0666



10. Connect L-coupling 1040



11. 1/2" Self-tapping screw (By others)



12. Connect Installation screw MVL 4005



13. Connect Wing Distance 0650

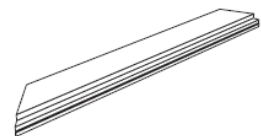


14. Focus Ds system with Connect Main runner on all four sides

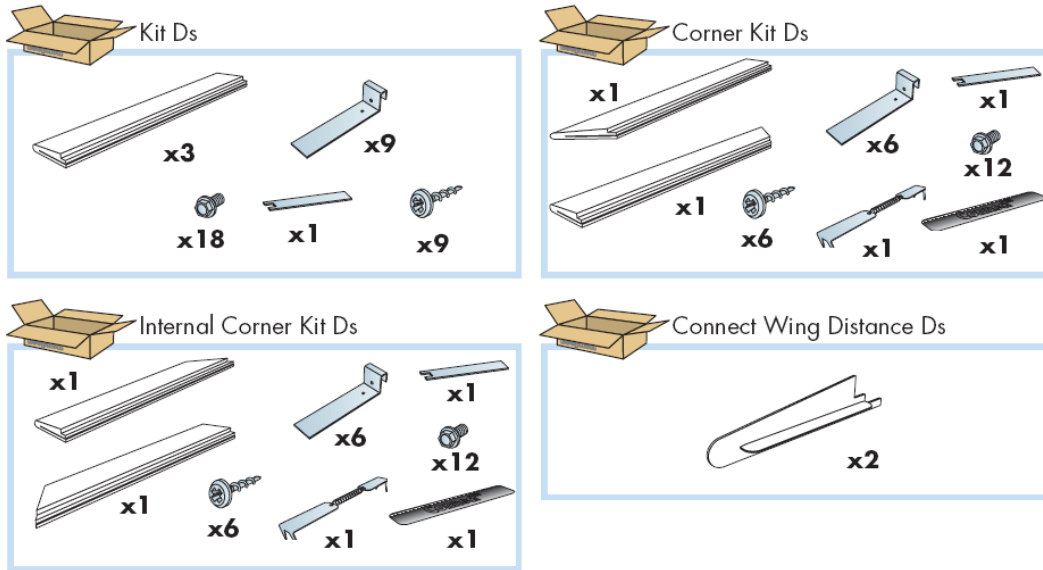
15. Focus Wing Ds /internal corner right



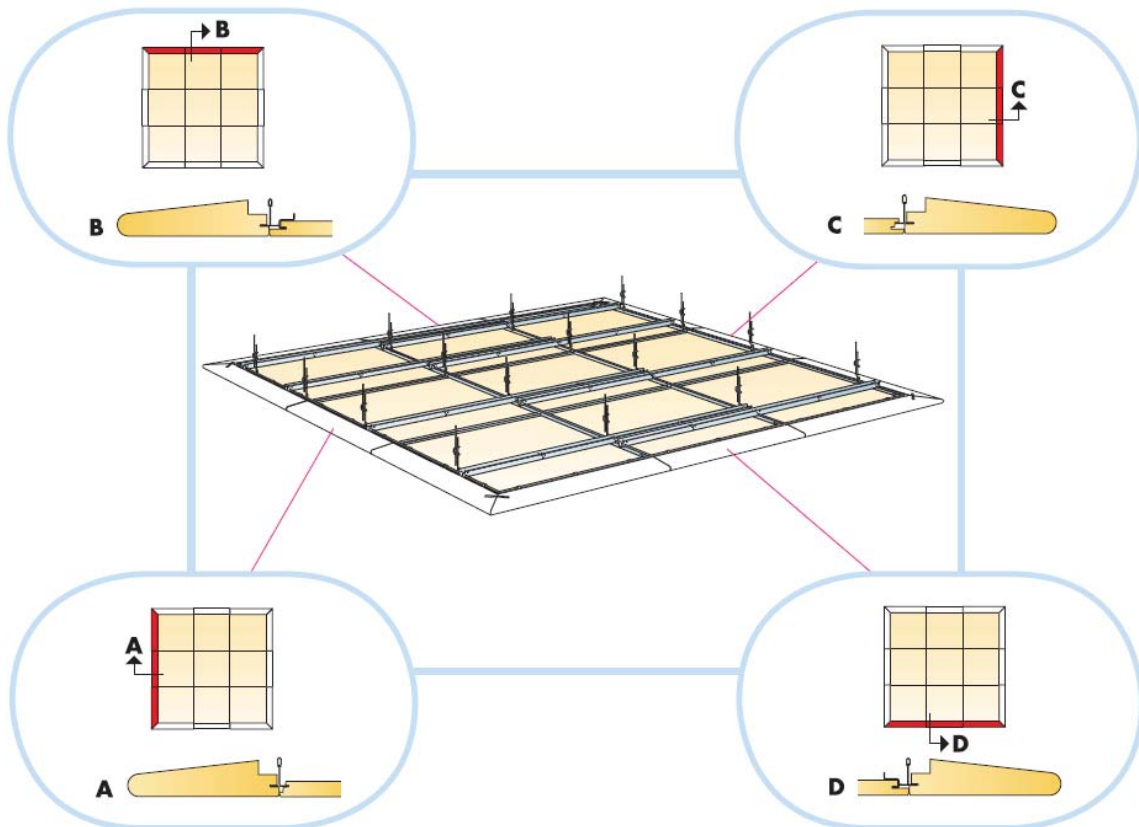
16. Focus Wing Ds /internal corner left



Packaged Parts

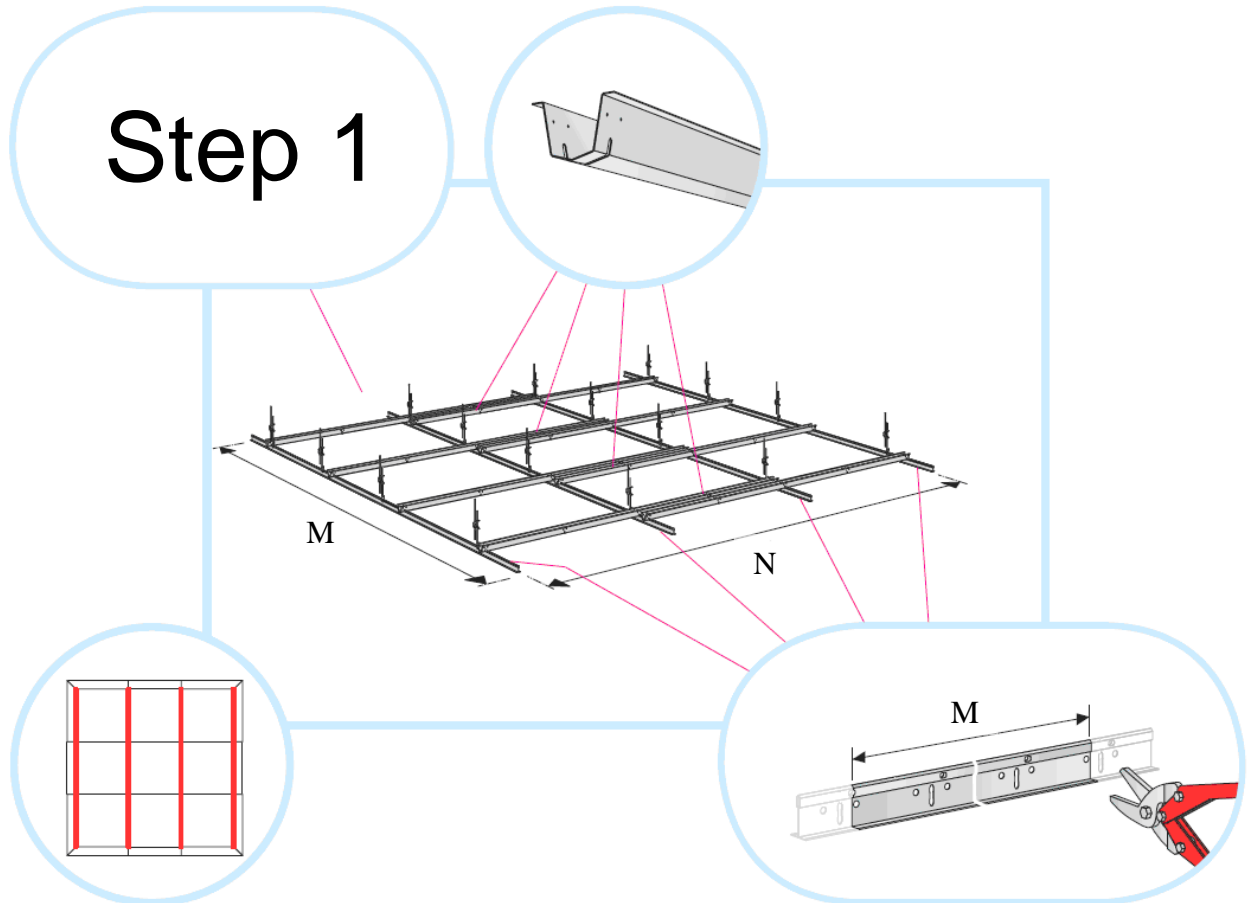


Focus Wing Finished Cloud



Pre-Installation: Note that the following instructions incorporate installing Focus Wing with Focus D 4'x4' Panels. Focus Wing, like Focus D and Focus DG, has a finished surface that is 1/2" below the grid. **Focus Wing is an extremely precise system and the tolerance is very small. The grid system must be square and level.**

Installation Instructions:



Step 1: Assemble the Suspension System

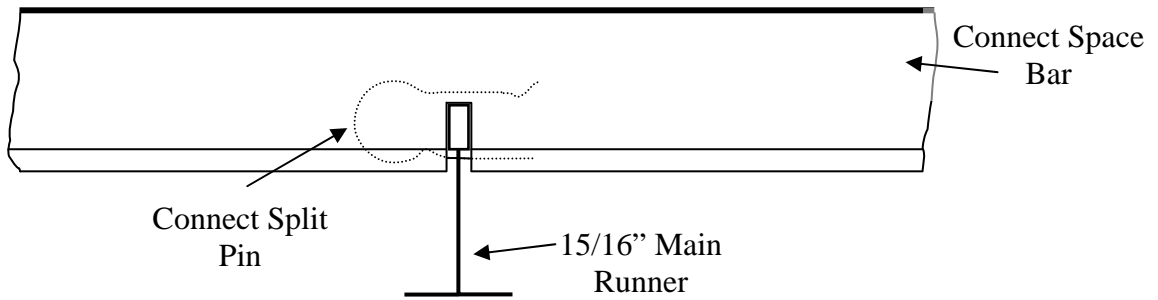
1. Install Hangers

- Mark lines for each of the main runners (4' on center).
- Pull a string line along the path that the first main runner will take.
- Hangers should be placed a minimum of every 48" along the main runners as illustrated above.

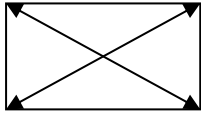
2. Install the first 3 (three) main runners (For smaller clouds, assembly of the suspension system can take place on the floor)

- Install the first section of main runner.
- Attach the main runner to wire.
- Repeat for the next two sections of main runner. (Be sure that the cross tee slots in all three main runners line up, or the Connect Space Bar will not install).

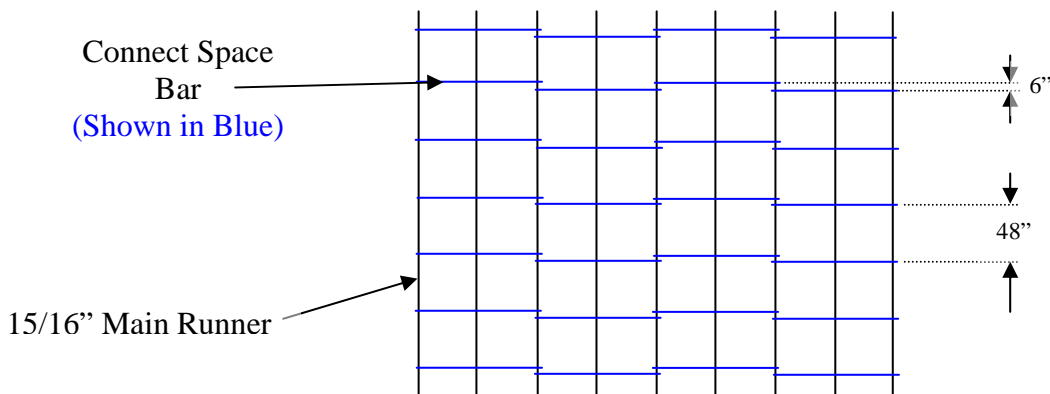
3. Install Connect Space Bar (Space Bars take the place of cross tees)
 - Establish the location of the first Space Bar. (Max distance of 24" from end of the cloud.)
 - Place the Space Bar on top of the four main runners, and insert Connect Split Pin through the cross tee slot (see 4A).
4. Each main runner should get pinned as illustrated below

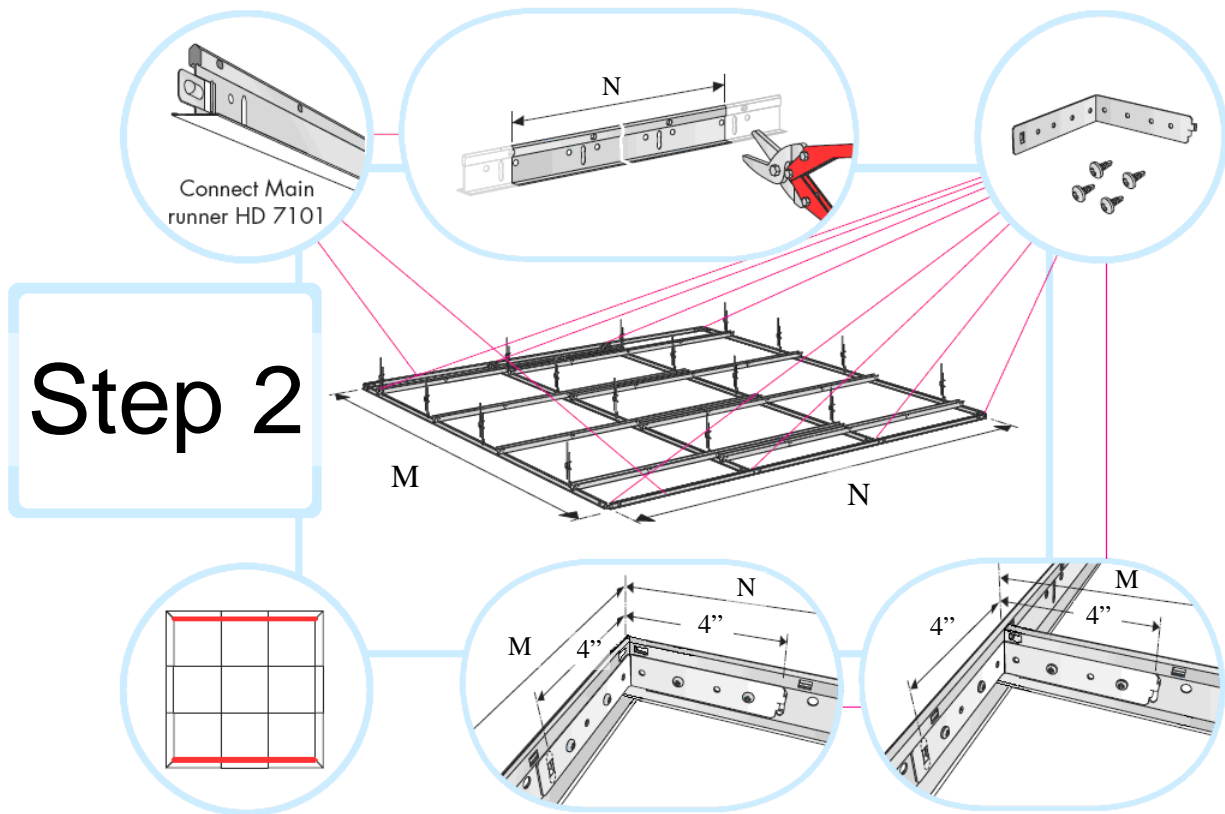


5. Square the grid system
 - Check to see if the system is square by measuring diagonally across the opening between the main runners. The measurements should be the same if the system is equal.



6. Repeat Steps 3-5 until the entire suspension system is installed.
Note: Space bars are 8'2", and are installed not more than 24" from the end of the cloud. They are installed 48" on center in the field, and should not be installed directly above a panel joint. Space bars in parallel runs should be staggered 6-inches to the next cross tee slot, so they can be properly pinned. (Illustrated below)





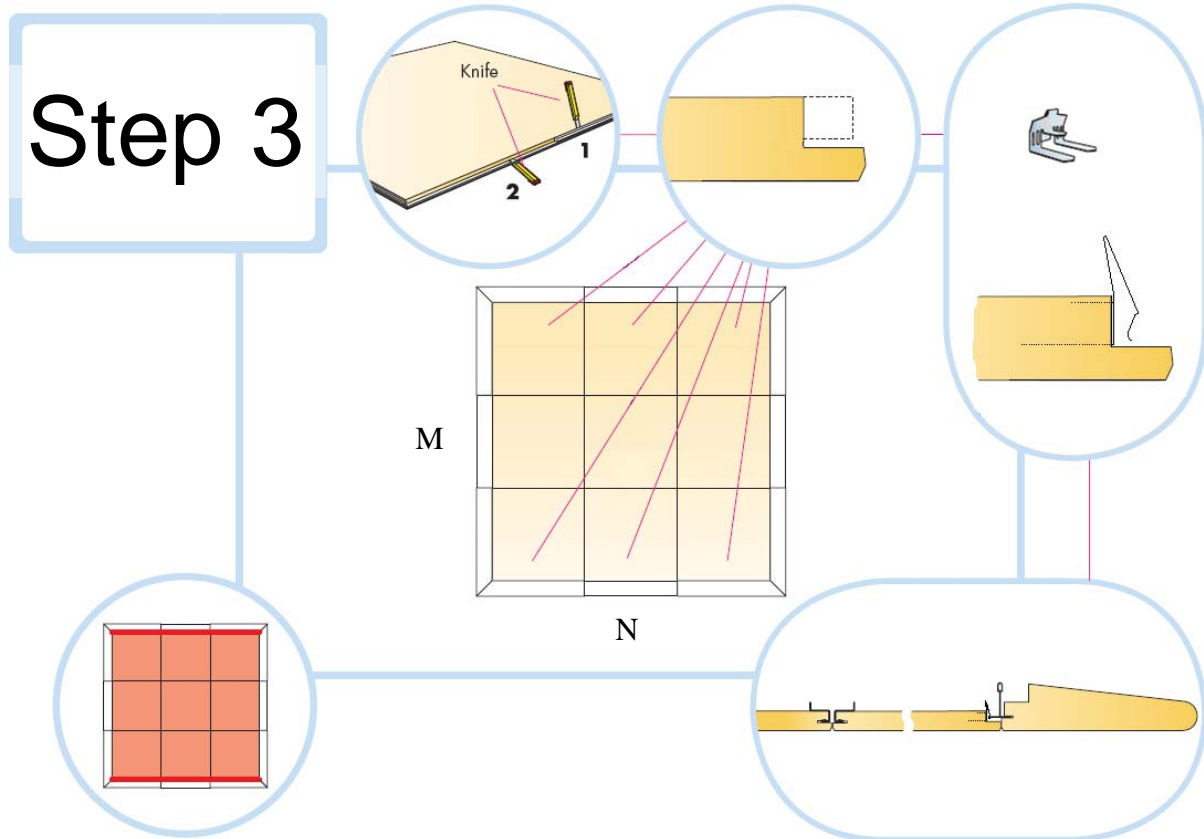
Step 2: Add Perimeter Main Runners

Perimeter mains need to be cut to allow access of a full-sized panel at the edge of the interior cloud field (shown in red above).

1. Check Measurements

- Main runners should be used to complete the cloud along both “N” sides.
- Main runner “N” should be measured and cut (on slot), so that the suspension is sized to facilitate full-sized panels, and so that there is enough to overlap main runner “M”.

2. Install L-couplings (4”x4”) using ½” self-tapping screws (by other) to hold the cloud together.



Step 3: Install Panels

1. Install non-perimeter field panels

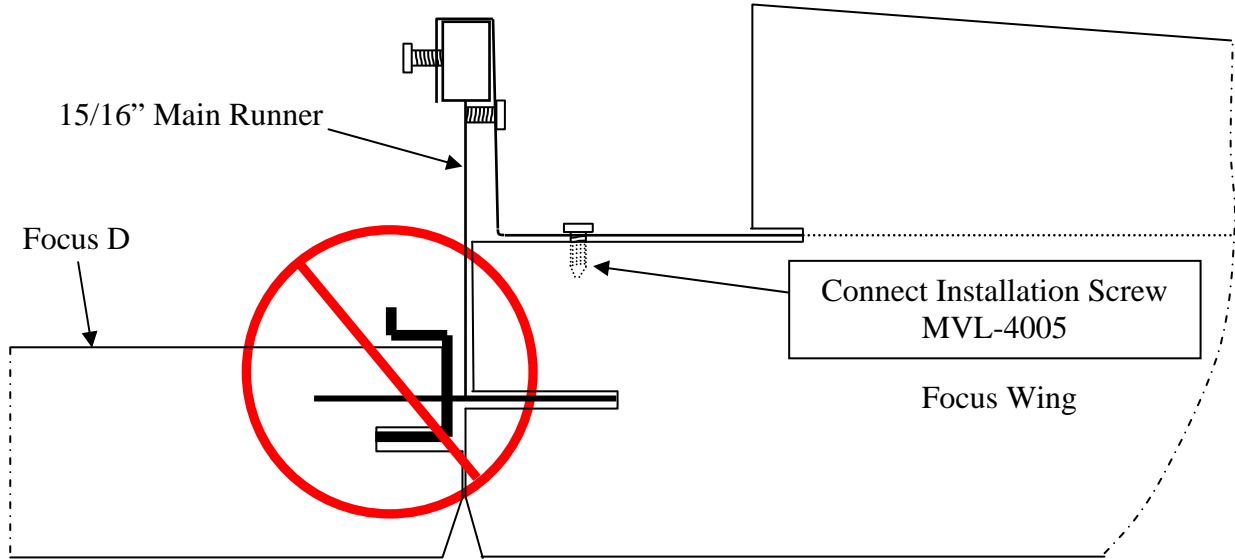
- For installation instructions for particular panels, please consult www.certainteed.com.

If you are installing any panel other than Focus D 4'x4', you can install every panel in the field and move on to Step 4. If you are installing Focus D 4'x4', follow the directions below.

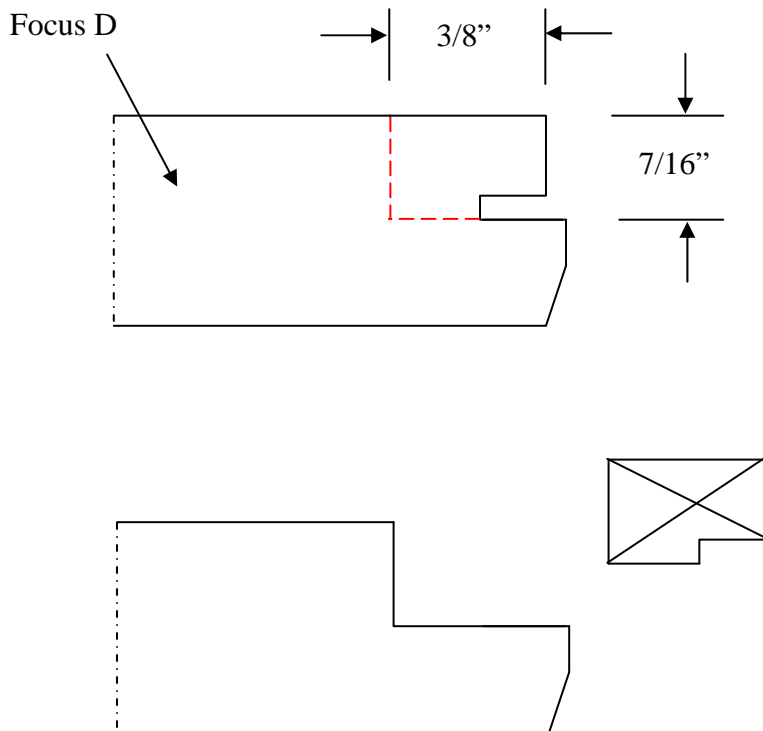
2. Install any perimeter panels that border on “M”, but not border “N”.

3. To install Focus D 4'x4' perimeter panels along edge “N” you will need to follow the directions below.

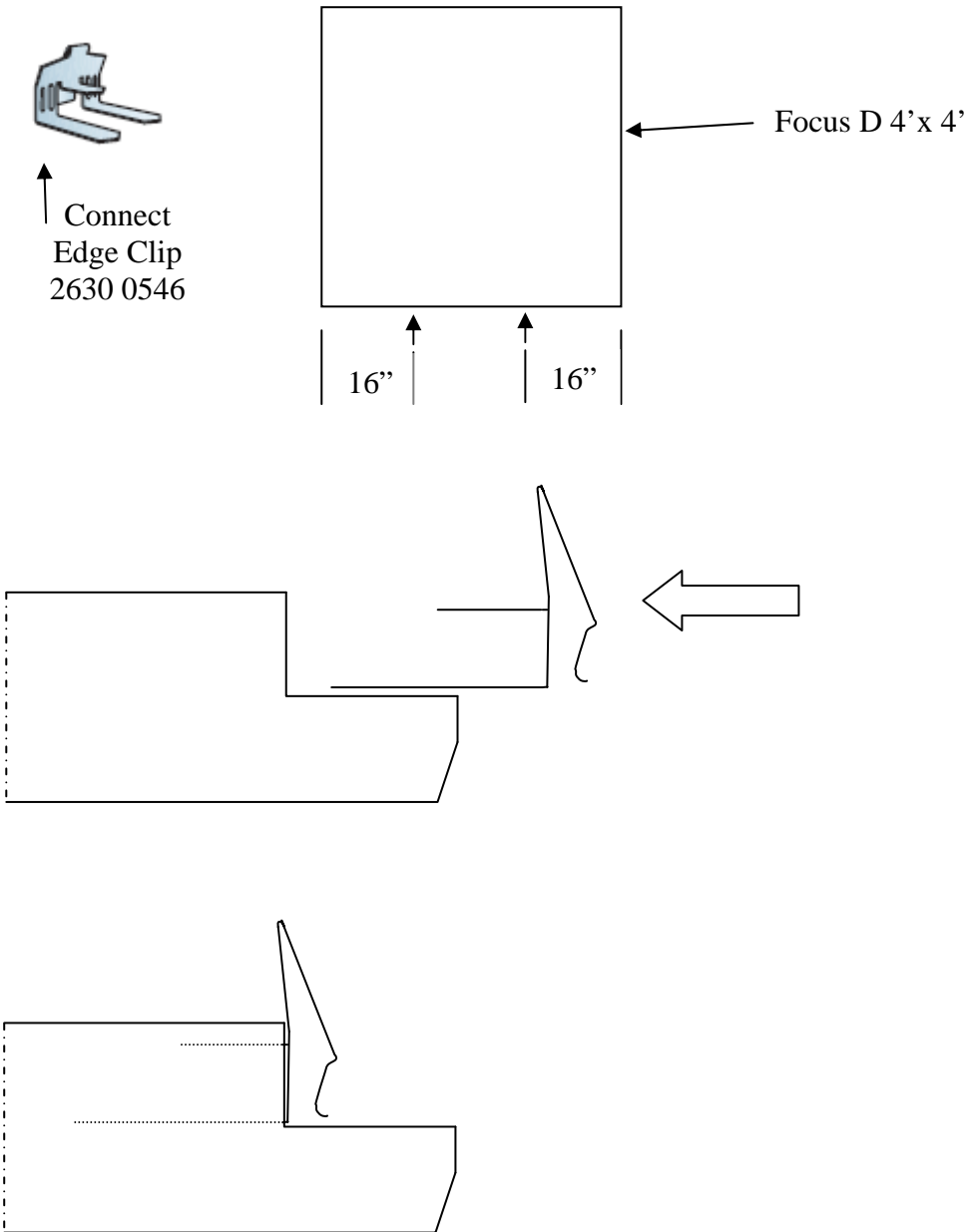
- A. The diagram on the next page shows how a Focus Wing panel and a Focus D 4'x4' non-supporting (Edge Stiffener) edge will install in a cloud along the edge that runs perpendicular to the main runners. **These perimeter Focus D 4'x4' Panels must be modified.** Follow the directions on page 7 to install these border panels.



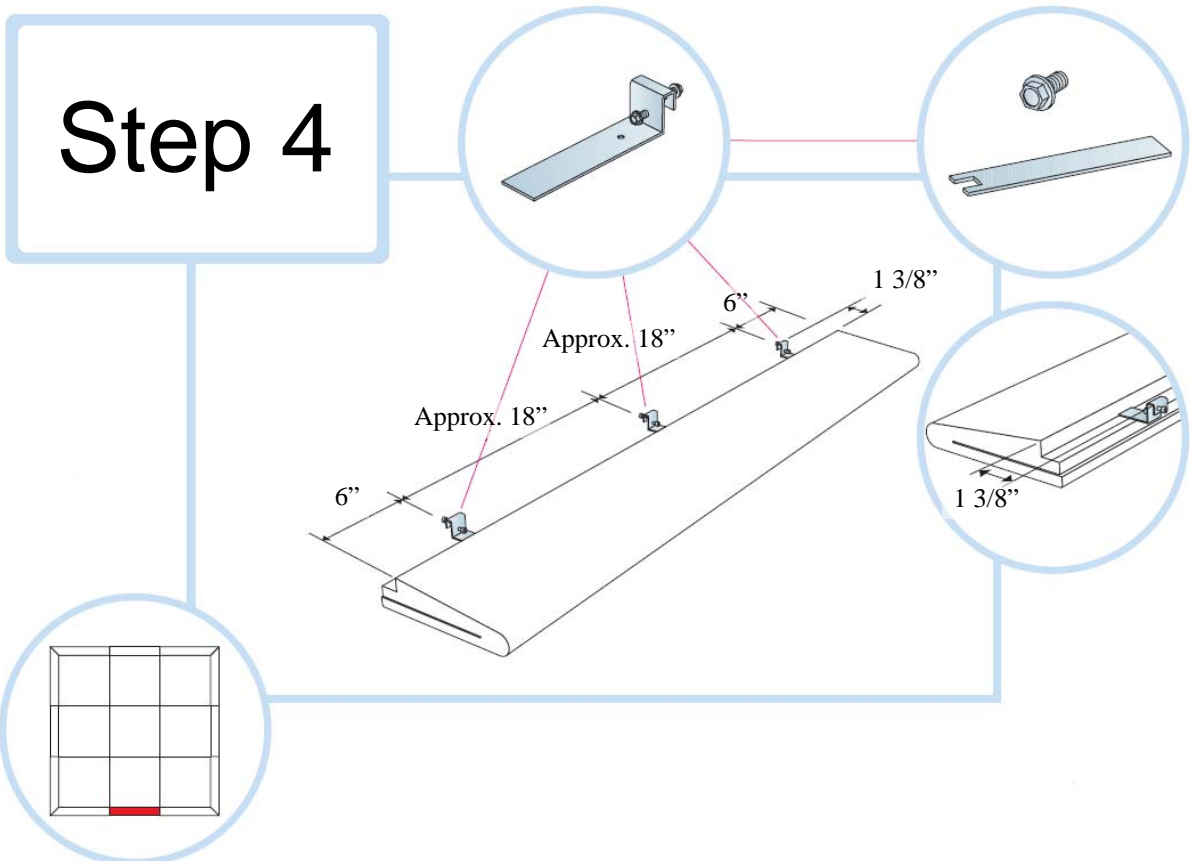
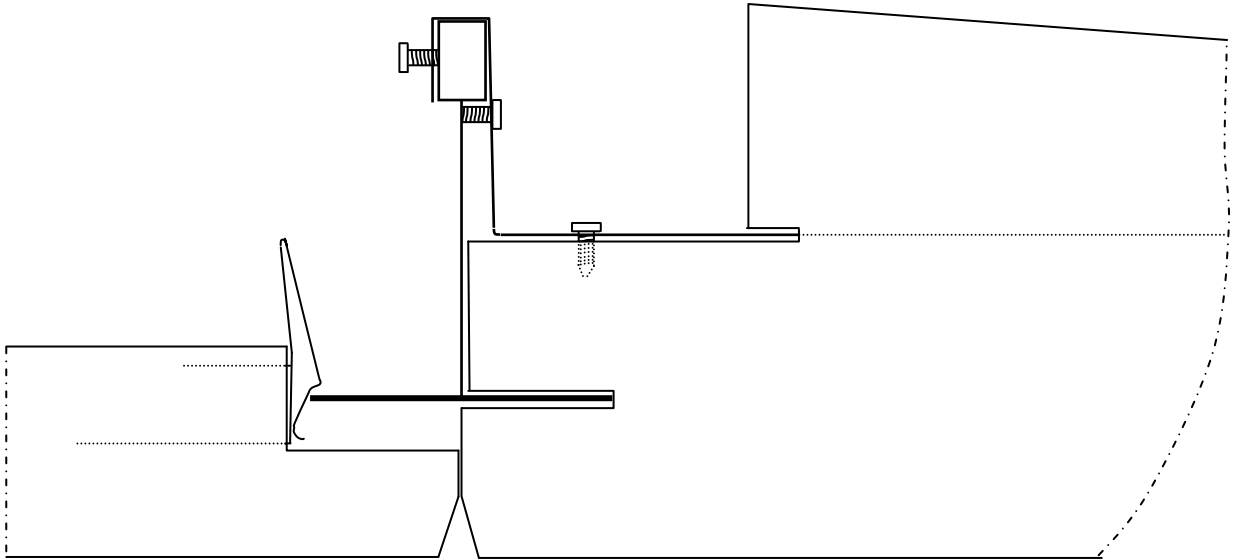
- B. To install the Focus D 4'x4' panel in the example above, the panel has to be back-cut with a 3/8" x 7/16" rabbet. Measure 3/8" on the back of the panel. Using a razor knife, cut the panel along the not supporting edge as illustrated below. Then remove the cut piece and discard.



C. Insert 2 (two) Connect Edge Clips (2630 0546) into the cut edge, sixteen inches in from each panel edge as illustrated below.

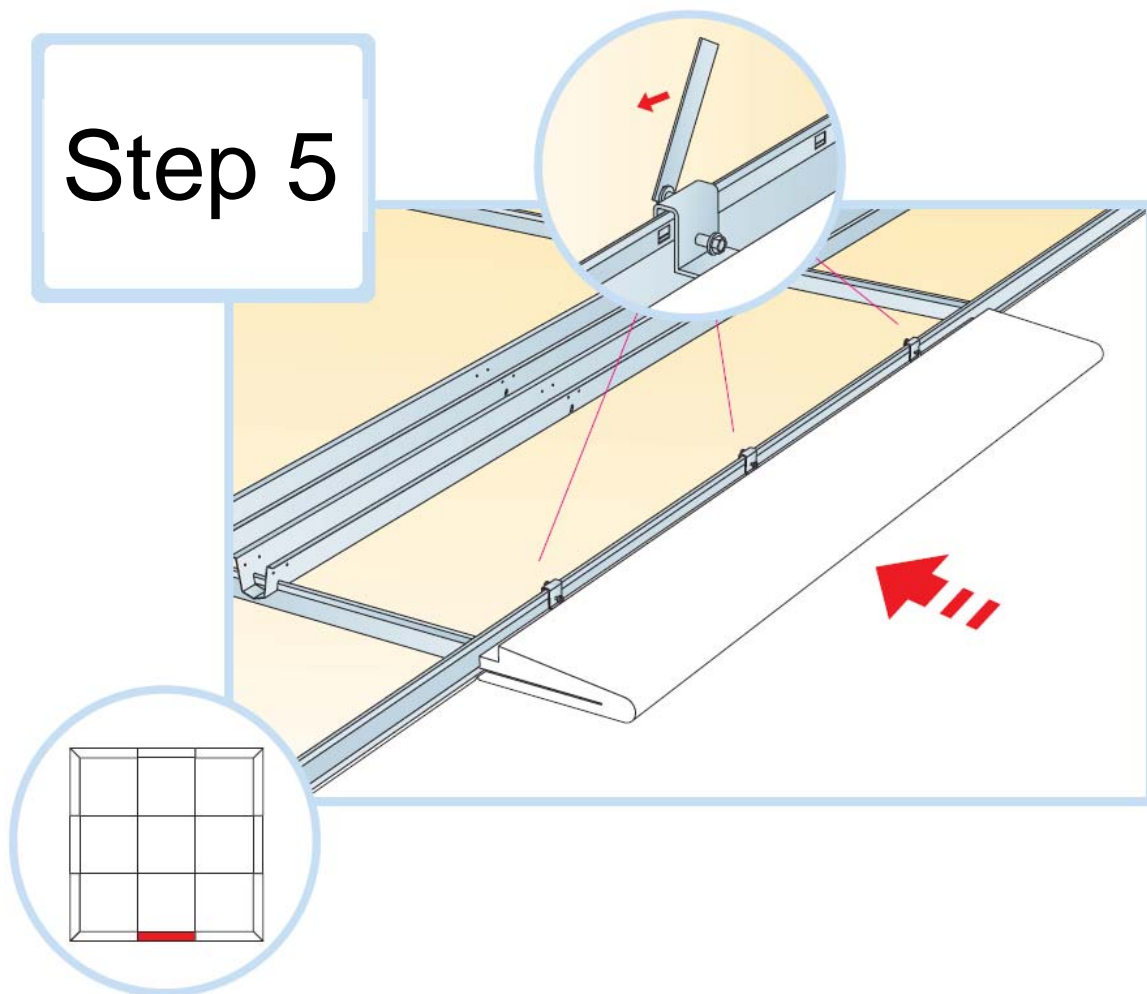


D. Install the panel. Make sure that the panel is being supported by the Connect Edge Clips, or the panel will sag.



Step 4: Straight Focus Wing Panels

1. Install 3 (three) Connect Wing Cantilevers into each straight panel and corner panel as illustrated above.

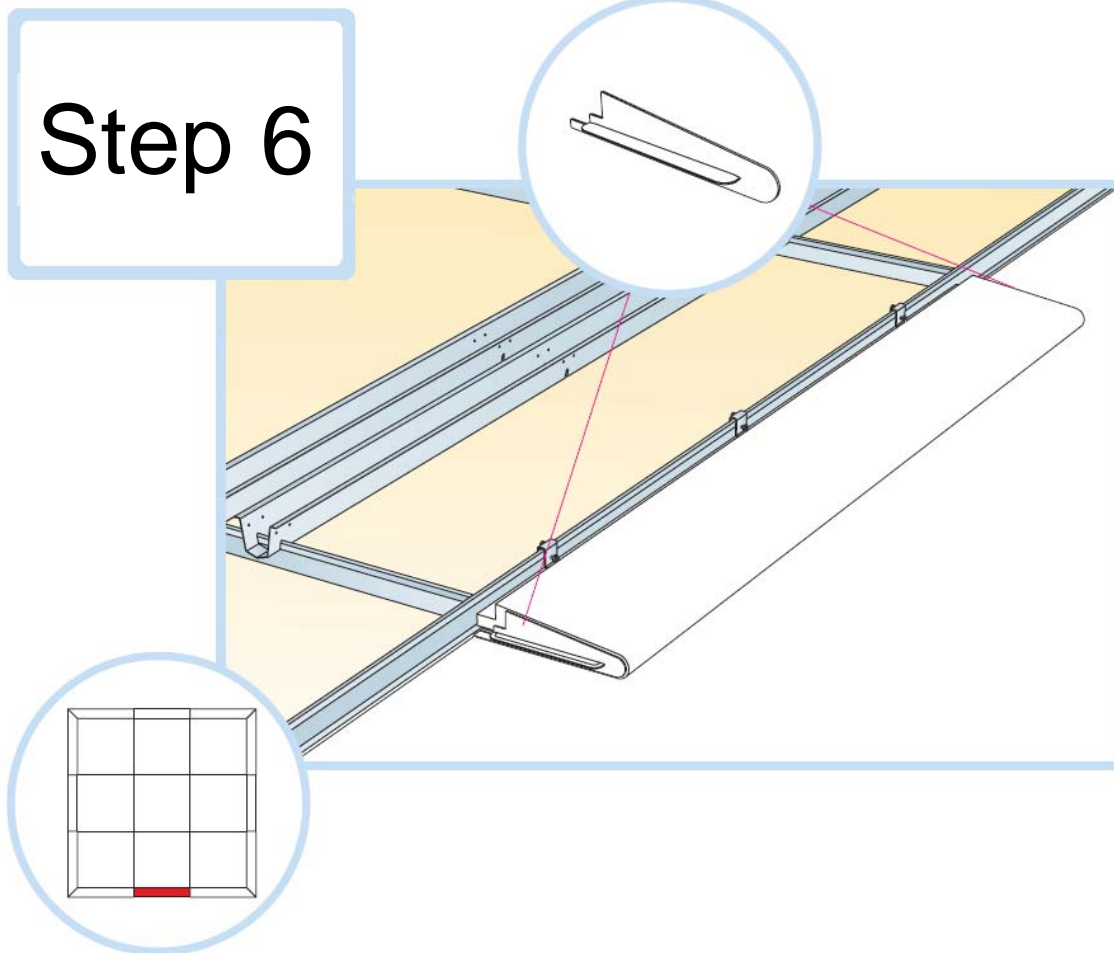


Step 5

Step 5: Install Straight Focus Wing Panels on the Grid

1. Install Wing panels onto the grid, and tighten both cantilever placement bolts on each cantilever until the surface of the wing panel is level with the surface of the field panels.

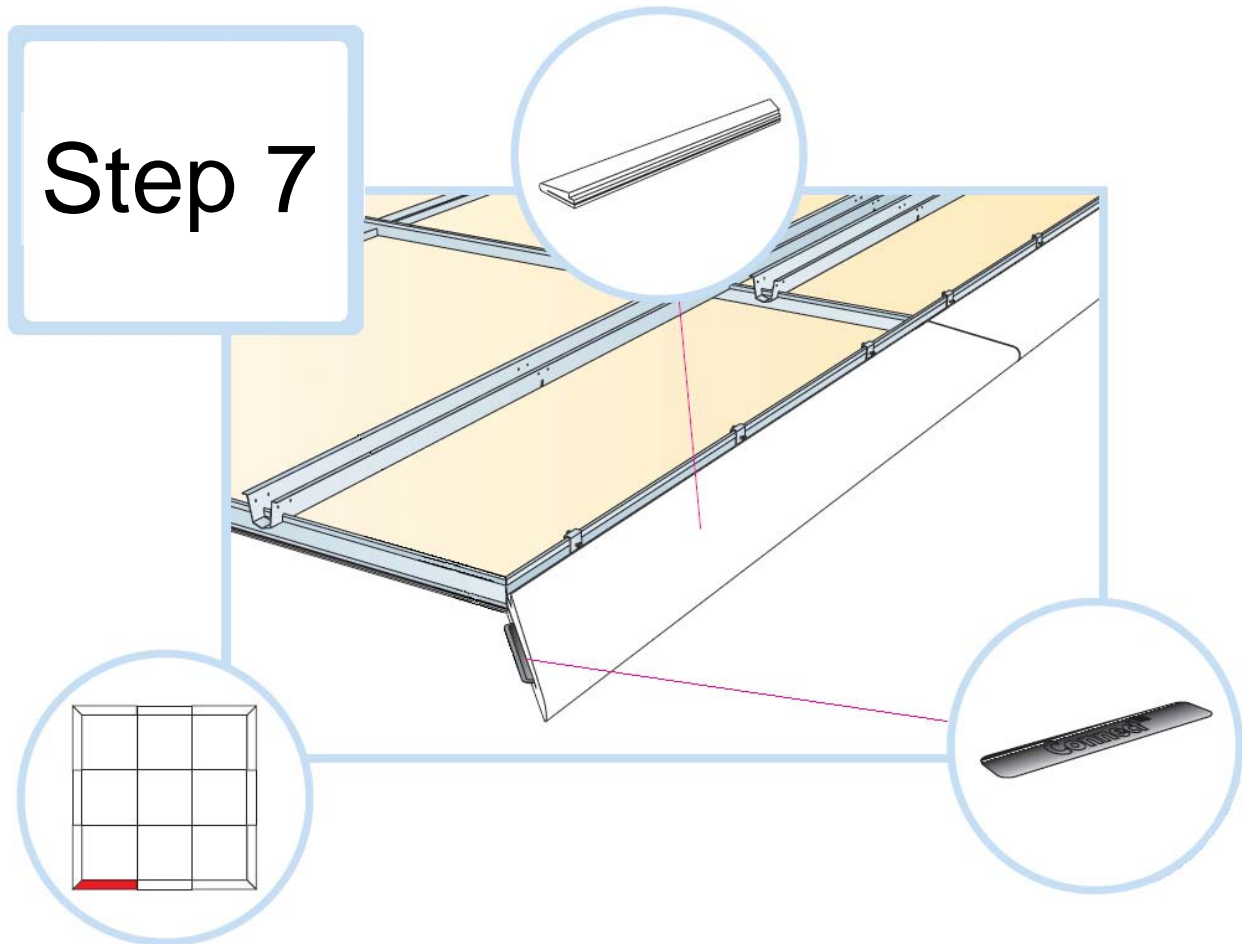
(Continued on next page)



Step 6: Install Connect Wing Distance 0650

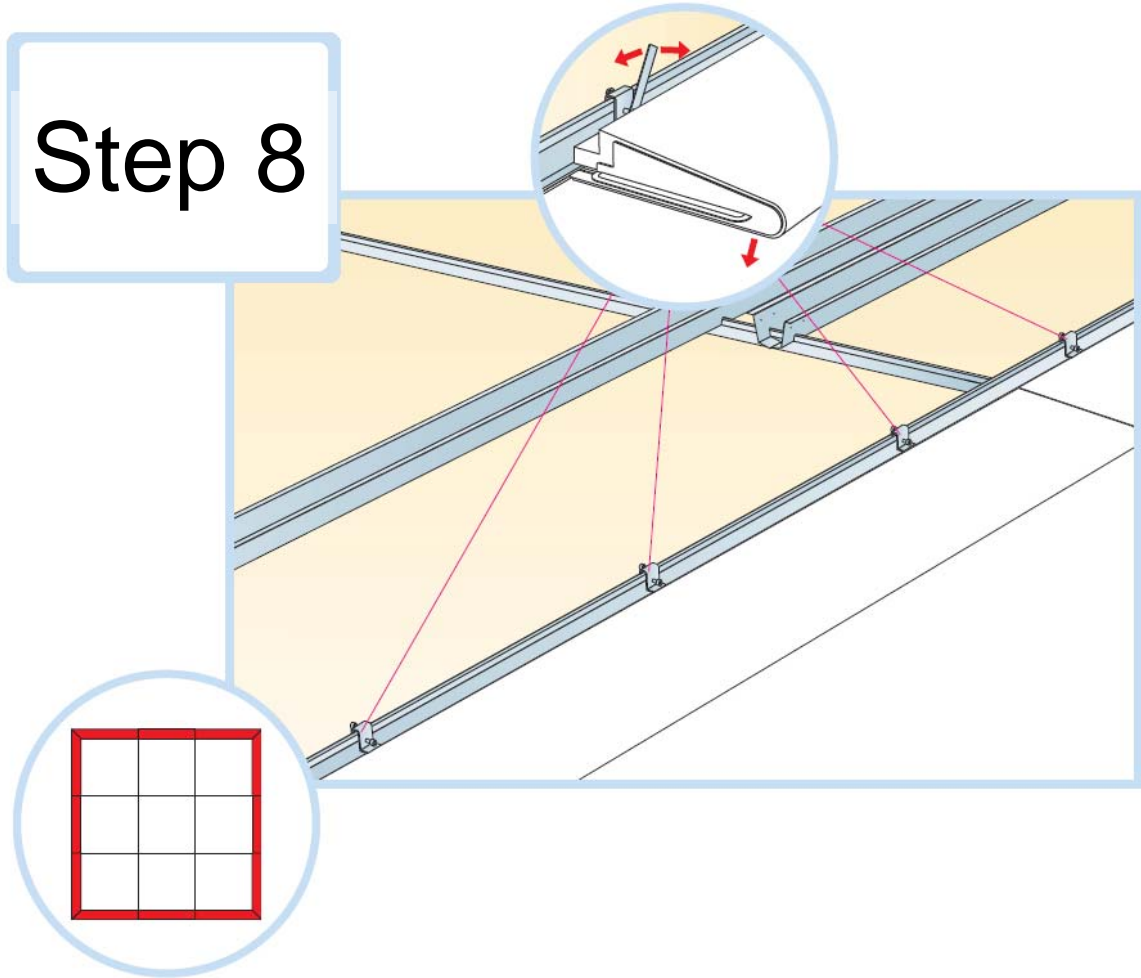
It is imperative to include Connect Wing Distance 0650 in any Focus Wing installation, as they not only provide support, but also complete the 4' modular dimension, that is Focus Wing.

1. Install Connect Wing Distance into the Wing panels by inserting one flange into the panel.



Step 7: Install Wing Corner Panels

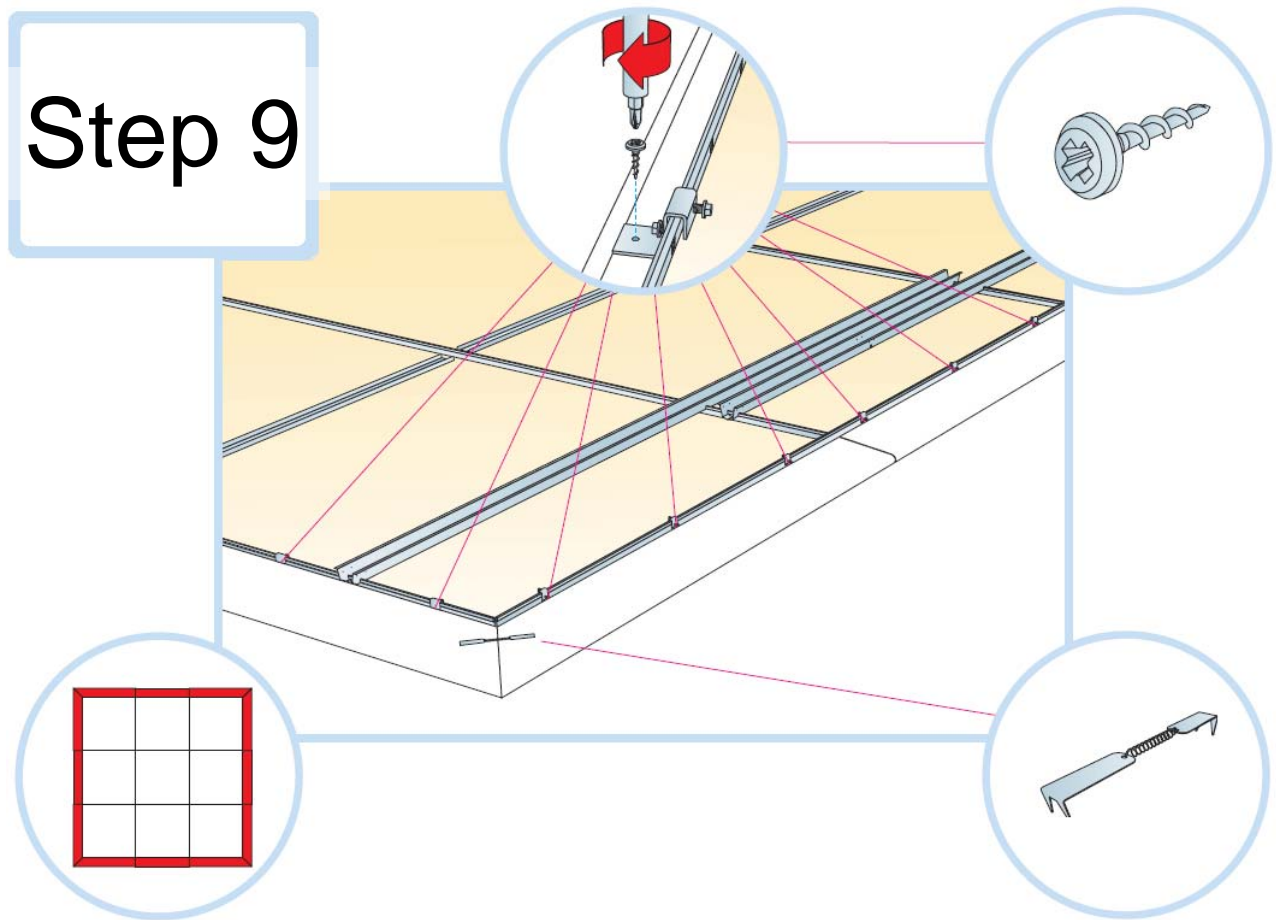
1. Install Connect Wing corner panel onto the grid and into the Wing Connect Distance 0650. Tighten both cantilever placement bolts on each cantilever until the surface of the wing panel is level with the surface of the field panels. Insert a Connect Spline 0219 into the angled edge of the corner panel.
2. Install the next corner panel.
3. Install the remaining Wing panels until the entire cloud is completed.



Step 8

Step 8: Adjust Cantilever Bolts

1. Tighten/loosen any cantilever placement bolts as required to level the surface of the Wing panels with the field panels.



Step 9: Install Cantilever Screws & corner panel Connect Hooks

1. Install Cantilever screws as illustrated above to stop lateral movement.
2. Install Connect Hooks 0666 at corner panels as illustrated above.